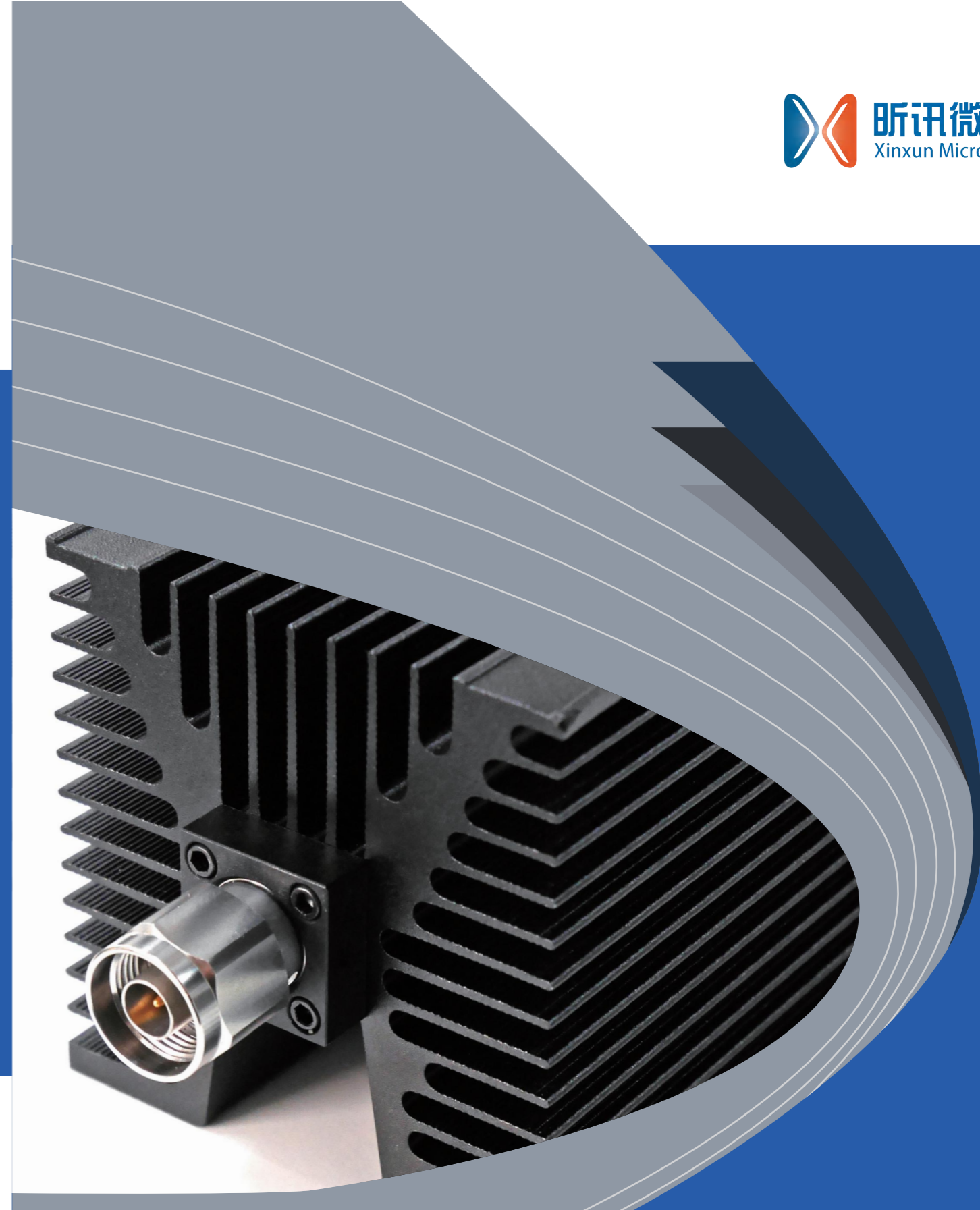




关注我们  
Follow us



0513-5108 3958  
sales@xinxunmc.com  
www.xinxunmc.com  
江苏省南通市开发区  
常兴东路1号联东U谷3幢&40幢

**高精度  
射频微波器件**

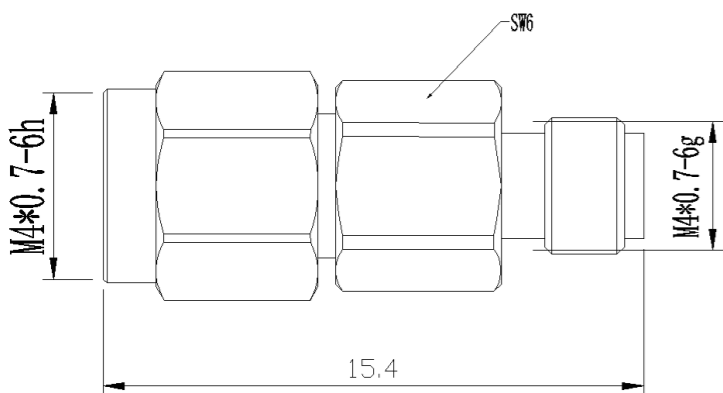
HIGH-PRECISION  
RF MICROWAVE DEVICES

<b>01</b>	<b>1.0毫米波系列</b> <b>1.0mm Series</b>	<b>110GHz</b>
	XSJ1-1.0            02	XFZ1-1.0            02
<b>03</b>	<b>1.35毫米波系列</b> <b>1.35mm Series</b>	<b>90GHz</b>
	XFZ1-1.35            04	
<b>05</b>	<b>1.85毫米波系列</b> <b>1.85mm Series</b>	<b>67GHz</b>
	XSJ2-1.85            06	XFZ2-1.85            07
	XSJ5-1.85            06	XFZ2-1.85            08
	XSJ10-1.85           07	XFZ10-1.85           08
<b>09</b>	<b>2.4毫米波系列</b> <b>2.4mm Series</b>	<b>50GHz</b>
	XSJ2-2.4            10	XFZ2-2.4            11
	XSJ5-2.4            10	XFZ5-12            12
	XSJ10-2.4           11	XFZ10-12           12
<b>13</b>	<b>2.92毫米波系列</b> <b>2.92mm Series</b>	<b>40GHz</b>
	XSJ2A-2.92           14	XFZ2-2.92           18
	XSJ2B-2.92           14	XFZ5-2.92           18
	XSJ5-2.92            15	XFZ10-2.92          19
	XSJ10-2.92           15	XFZ20-2.92          19
	XSJ20-2.92           16	XFZ30-2.92          20
	XSJ30-2.92           16	XFZ50-2.92          20
	XSJ50-2.92           17	XFZ100-2.92        21
	XSJ100-2.92        17	
<b>22</b>	<b>3.5毫米波系列</b> <b>3.5mm Series</b>	<b>33GHz</b>
	XSJ2-3.5            23	XFZ2-3.5            23
<b>24</b>	<b>SMA系列</b> <b>SMA Series</b>	<b>26.5GHz</b>
	XSJ2 -SMA           25	XFZ2 -SMA           28
	XSJ5 -SMA           25	XFZ5 -SMA           28
	XSJ10 -SMA          26	XFZ10 -SMA          29
	XSJ20 -SMA          26	XFZ20 -SMA          29
	XSJ30 -SMA          27	XFZ30 -SMA          30
	XSJ50 -SMA          27	XFZ50 -SMA          30
<b>31</b>	<b>N系列</b> <b>N Series</b>	<b>18GHz</b>
	XSJ100-N            32	XFZ100-N            34
	XSJ200-N            32	XFZ200-N            34
	XSJ300-N            33	XFZ300-N            35
	XSJ500-N            33	XFZ500-N            35
<b>36</b>	<b>特种系列及隔直器</b> <b>Special Series And DC-Block</b>	
	XSJ2-SMP            37	XGZ-SMA            38
	XFZ2-SMP            37	XGZ-3.5            38
		XGZ-2.92            39
		XGZ-2.4            39
		XGZ-1.85            40

# 1.0

Coaxial Fixed Attenuator and Termination




**规格与性能**  
**Specification and Performance**
**机械性能**  
**Mechanical Specifications**

型号(Model): XSJ1-1.0  
 温度范围(Temp. Range): -55°C~125°C  
 储存(Storage): -55°C~125°C  
 工作(Operating): -55°C~125°C  
 平均功率(Average Power): 1W  
 峰值功率(Peak Power): 5W (5μs pulse, 0.5% duty cycle)  
 重量 (Weight): 5g

**电气性能**  
**Electrical Properties**

频率范围 Frequency Range(GHz)	衰减值及精度 Attenuation Value & Accuracy (dB)			最大驻波比 Max. VSWR
	3	6	10	
DC-110	-1.0/+2.0	-1.0/+2.0	-1.0/+2.0	1.60

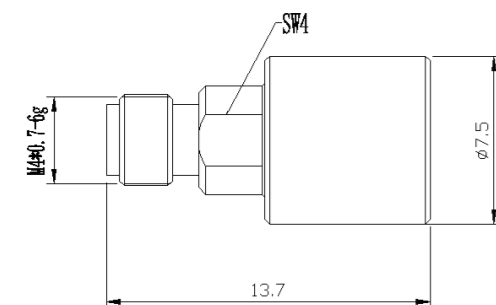
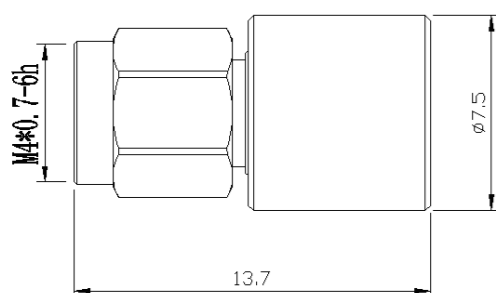
## XSJ1-1.0 50Ω Coaxial Fixed Attenuator

XSJ1-1.0系列同轴固定衰减器具有体积小、工作频带宽、驻波系数低、衰减平坦、抗脉冲、抗烧毁能力强等特征。

XSJ1-1.0 series coaxial fixed attenuators has the following characteristics: small size, wide working frequency band, low standing wave coefficient, flat attenuation value, anti-pulse, anti-burn ability.



## Coaxial Fixed Attenuator and Termination


**规格与性能**  
**Specification and Performance**
**机械性能**  
**Mechanical Specifications**

型号(Model): XFZ1-1.0  
 温度范围(Temp. Range): -55°C~125°C  
 储存(Storage): -55°C~125°C  
 工作(Operating): -55°C~125°C  
 平均功率(Average Power): 1W  
 峰值功率(Peak Power): 5W (5μs pulse, 0.5% duty cycle)  
 重量 (Weight): 3g

**电气性能**  
**Electrical Properties**

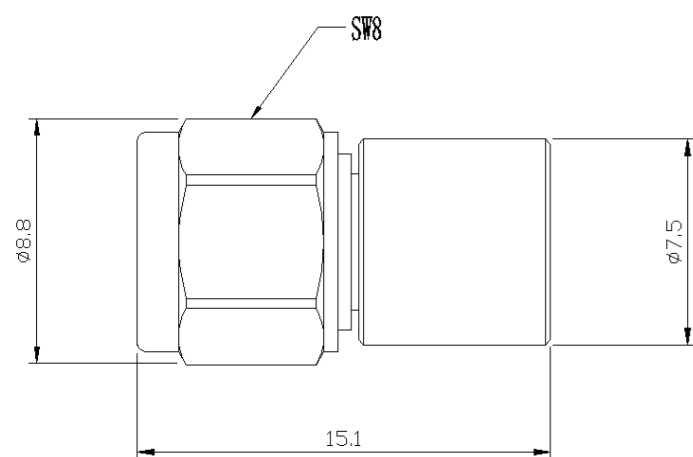
频率范围 Frequency Range(GHz)	最大驻波比 Max. VSWR
DC-110	1.50

## XFZ1-1.0 50Ω Coaxial Fixed Termination

XFZ1-1.0系列同轴负载具有工作频带宽、驻波系数低、抗脉冲、抗烧毁能力强等特征。

XFZ1-1.0mm series coaxia termination has the following characteristics: wide working frequency band, low standing wave coefficient, strong anti-pulse and anti-burn ability.





规格与性能  
Specification and Performance

机械性能  
Mechanical Specifications

型号(Model): XFZ1-1.35  
 温度范围(Temp. Range):  
 储存(Storage): -55°C~125°C  
 工作(Operating): -55°C~125°C  
 平均功率(Average Power): 1W  
 峰值功率(Peak Power): 5W (5μs pulse, 0.5% duty cycle)  
 重量(Weight): 5g

电气性能  
Electrical Properties

频率范围 Frequency Range(GHz)	最大驻波比 Max. VSWR
DC-90	1.60

**XFZ1-1.35 50Ω**  
Coaxial Fixed Termination

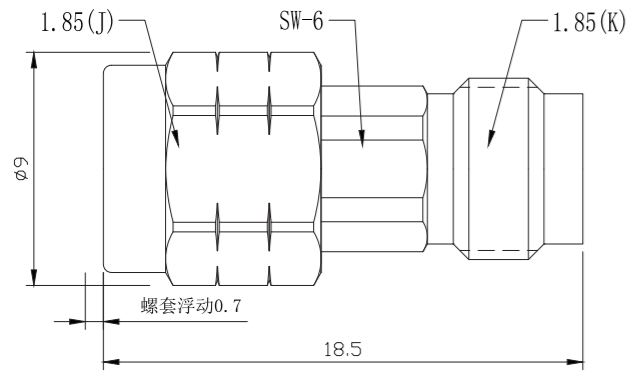
XFZ1-1.35系列同轴负载具有工作频带宽，驻波系数低，抗脉冲，抗烧毁能力强等特征。

XFZ1-1.35mm series coaxia termination has the following characteristics: wide working frequency band, low standing wave coefficient, strong anti-pulse and anti-burn ability.

# 1.05

Coaxial Fixed Attenuator and Termination





### 规格与性能 Specification and Performance

#### 机械性能 Mechanical Specifications

型号(Model): XSJ2-1.85  
 温度范围(Temp. Range): -55°C~125°C  
 储存(Storage): -55°C~125°C  
 工作(Operating): -55°C~125°C  
 平均功率(Average Power): 2W  
 峰值功率(Peak Power): 20W (5μs pulse, 0.5% duty cycle)  
 重量(Weight): 4g

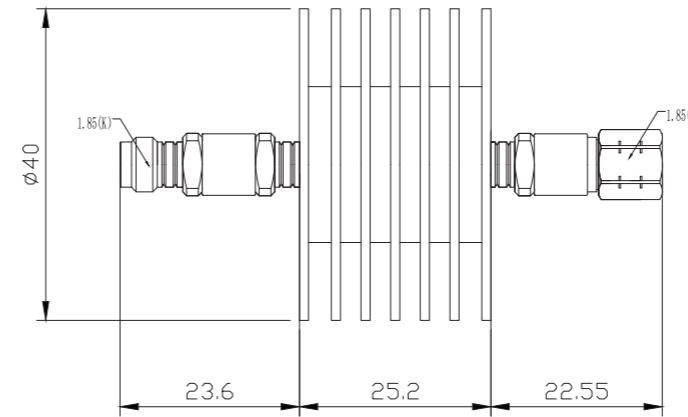
#### 电气性能 Electrical Properties

频率范围 Frequency Range(GHz)	衰减值及精度 Attenuation Value & Accuracy (dB)			最大驻波比 Max. VSWR
	1~10	20	30	
DC-67	-1.0/+1.2	-1.2/+1.2	-1.5/+1.5	1.35

## XSJ2-1.85 50Ω Coaxial Fixed Attenuator

XSJ2-1.85系列同轴固定衰减器具有体积小、工作频带宽、驻波系数低、衰减平坦、抗脉冲、抗烧毁能力强等特征。

XSJ2-1.85 series coaxial fixed attenuators has the following characteristics: small size, wide working frequency band, low standing wave coefficient, flat attenuation value, anti-pulse, anti-burn ability.



### 规格与性能 Specification and Performance

#### 机械性能 Mechanical Specifications

型号(Model): XSJ10-1.85  
 温度范围(Temp. Range): -55°C~125°C  
 储存(Storage): -55°C~125°C  
 工作(Operating): -55°C~125°C  
 平均功率(Average Power): 10W  
 峰值功率(Peak Power): 50W (5μs pulse, 5% duty cycle)  
 重量(Weight): 62g

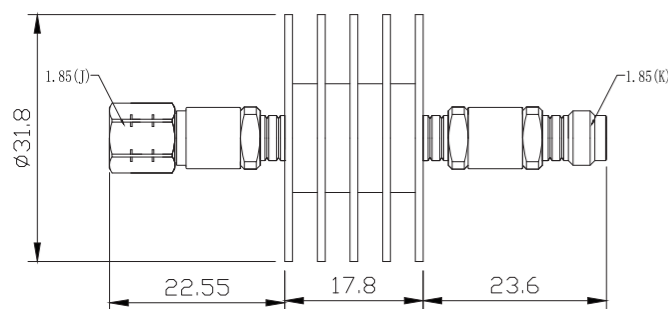
#### 电气性能 Electrical Properties

频率范围 Frequency Range(GHz)	衰减值及精度 Attenuation Value & Accuracy (dB)			最大驻波比 Max. VSWR
	10	20	30	
DC-67	-1.5/+2.0	-1.5/+2.0	-1.5/+2.0	1.45

## XSJ10-1.85 50Ω Coaxial Fixed Attenuator

XSJ10-1.85系列同轴固定衰减器具有体积小、工作频带宽、驻波系数低、衰减平坦、抗脉冲、抗烧毁能力强等特征。

XSJ10-1.85 series coaxial fixed attenuators has the following characteristics: small size, wide working frequency band, low standing wave coefficient, flat attenuation value, anti-pulse, anti-burn ability.



### 规格与性能 Specification and Performance

#### 机械性能 Mechanical Specifications

型号(Model): XSJ5-1.85  
 温度范围(Temp. Range): -55°C~125°C  
 储存(Storage): -55°C~125°C  
 工作(Operating): -55°C~125°C  
 平均功率(Average Power): 5W  
 峰值功率(Peak Power): 20W (5μs pulse, 2.5% duty cycle)  
 重量(Weight): 30g

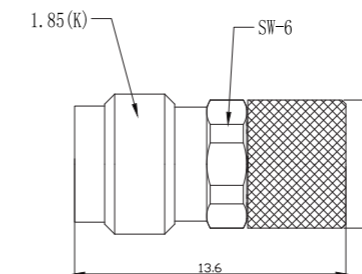
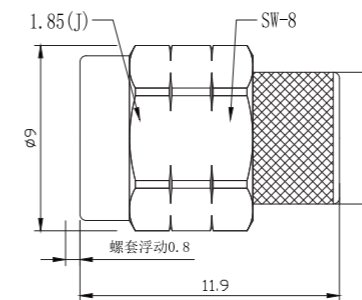
#### 电气性能 Electrical Properties

频率范围 Frequency Range(GHz)	衰减值及精度 Attenuation Value & Accuracy (dB)			最大驻波比 Max. VSWR
	1~10	20	30	
DC-67	-1.0/+1.5	-1.2/+1.5	-1.5/+2.0	1.40

## XSJ5-1.85 50Ω Coaxial Fixed Attenuator

XSJ5-1.85系列同轴固定衰减器具有体积小、工作频带宽、驻波系数低、衰减平坦、抗脉冲、抗烧毁能力强等特征。

XSJ5-1.85 series coaxial fixed attenuators has the following characteristics: small size, wide working frequency band, low standing wave coefficient, flat attenuation value, anti-pulse, anti-burn ability.



### 规格与性能 Specification and Performance

#### 机械性能 Mechanical Specifications

型号(Model): XFZ2-1.85  
 温度范围(Temp. Range): -55°C~125°C  
 储存(Storage): -55°C~125°C  
 工作(Operating): -55°C~125°C  
 平均功率(Average Power): 2W  
 峰值功率(Peak Power): 20W (5μs pulse, 0.5% duty cycle)  
 重量(Weight): 3g

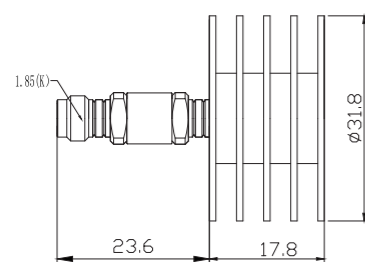
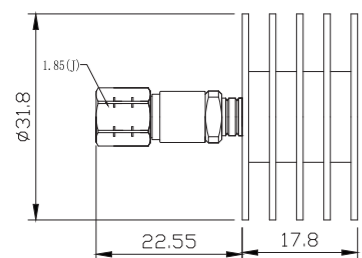
#### 电气性能 Electrical Properties

频率范围 Frequency Range(GHz)	最大驻波比 Max. VSWR
DC-67	1.30

## XFZ2-1.85 50Ω Coaxial Fixed Termination

XFZ2-1.85系列同轴负载具有工作频带宽、驻波系数低、抗脉冲、抗烧毁能力强等特征。

XFZ2-1.85mm series coaxia termination has the following characteristics: wide working frequency band, low standing wave coefficient, strong anti-pulse and anti-burn ability.


**规格与性能**  
**Specification and Performance**
**机械性能**  
**Mechanical Specifications**

型号(Model): XFZ5-1,85  
 温度范围(Temp. Range):  
 储存(Storage): -55°C~125°C  
 工作(Operating): -55°C~125°C  
 平均功率(Average Power): 5W  
 峰值功率(Peak Power): 20W (5μs pulse, 2.5% duty cycle)  
 重量 (Weight): 24g

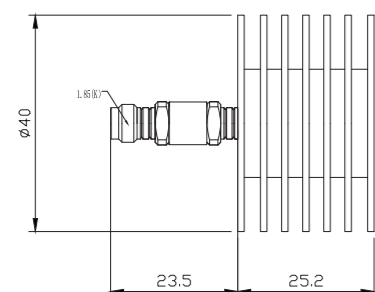
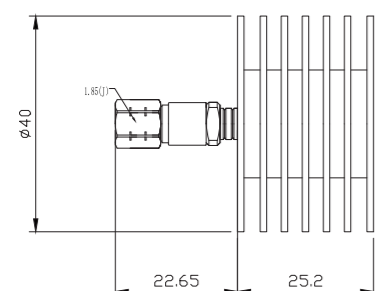
**电气性能**  
**Electrical Properties**

频率范围 Frequency Range(GHz)	最大驻波比 Max. VSWR
DC-67	1.35

**XFZ5-1.85 50Ω**  
**Coaxial Fixed Termination**

XFZ5-1.85系列同轴负载具有工作频带宽，驻波系数低，抗脉冲，抗烧毁能力强等特征。

XFZ5-1.85mm series coaxia termination has the following characteristics: wide working frequency band, low standing wave coefficient, strong anti-pulse and anti-burn ability.


**Coaxial Fixed Attenuator and Termination**

**规格与性能**  
**Specification and Performance**
**机械性能**  
**Mechanical Specifications**

型号(Model): XFZ10-1,85  
 温度范围(Temp. Range):  
 储存(Storage): -55°C~125°C  
 工作(Operating): -55°C~125°C  
 平均功率(Average Power): 10W  
 峰值功率(Peak Power): 50W (5μs pulse, 5% duty cycle)  
 重量 (Weight): 55g

**电气性能**  
**Electrical Properties**

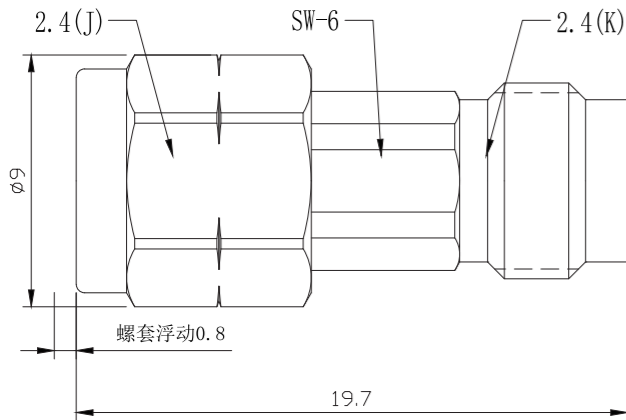
频率范围 Frequency Range(GHz)	最大驻波比 Max. VSWR
DC-67	1.40

**XFZ10-1.85 50Ω**  
**Coaxial Fixed Termination**

XFZ10-1.85系列同轴负载具有工作频带宽，驻波系数低，抗脉冲，抗烧毁能力强等特征。

XFZ10-1.85mm series coaxia termination has the following characteristics: wide working frequency band, low standing wave coefficient, strong anti-pulse and anti-burn ability.





**规格与性能**  
Specification and Performance

**机械性能**  
Mechanical Specifications

型号(Model): XSJ2-2.4  
 温度范围(Temp. Range): -55°C~125°C  
 储存(Storage): -55°C~125°C  
 工作(Operating): -55°C~125°C  
 平均功率(Average Power): 2W  
 峰值功率(Peak Power): 20W (5μs pulse, 0.5% duty cycle)  
 重量 (Weight): 4g

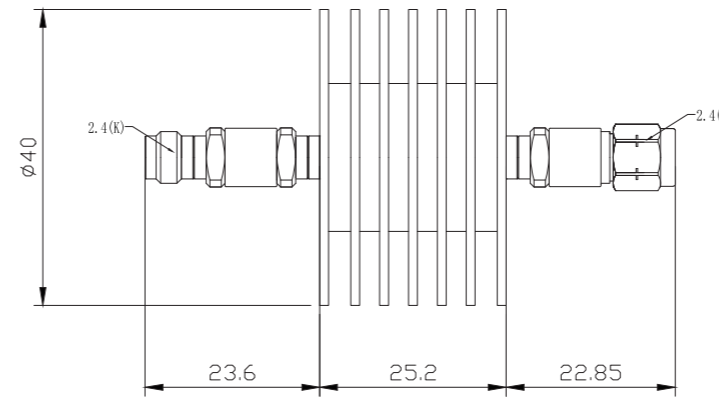
**电气性能**  
Electrical Properties

频率范围 Frequency Range(GHz)	衰减值及精度 Attenuation Value & Accuracy (dB)			最大驻波比 Max. VSWR
	1~10	20	30	
DC-50	-1.0/+1.0	-1.0/+1.2	-1.0/+1.2	1.30

**XSJ2-2.4 50Ω  
Coaxial Fixed Attenuator**

XSJ2-2.4系列同轴固定衰减器 具有体积小, 工作频带宽, 驻波系数低, 衰减值平坦, 抗脉冲, 抗烧毁能力强等特征。

XSJ2-2.4 series coaxial fixed attenuators has the following characteristics: small size, wide working frequency band, low standing wave coefficient, flat attenuation value, anti-pulse, anti-burn ability.



**规格与性能**  
Specification and Performance

**机械性能**  
Mechanical Specifications

型号(Model): XSJ10-2.4  
 温度范围(Temp. Range): -55°C~125°C  
 储存(Storage): -55°C~125°C  
 工作(Operating): -55°C~125°C  
 平均功率(Average Power): 10W  
 峰值功率(Peak Power): 50W (5μs pulse, 5% duty cycle)  
 重量 (Weight): 62g

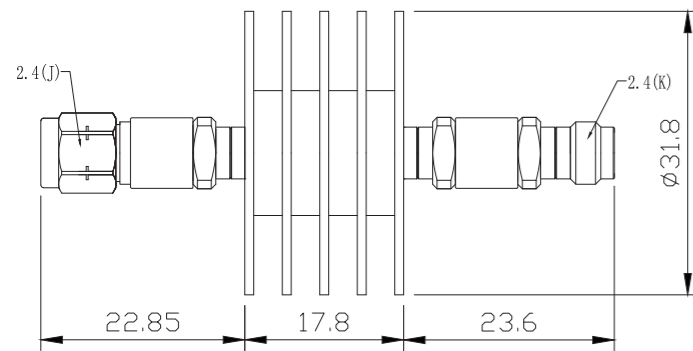
**电气性能**  
Electrical Properties

频率范围 Frequency Range(GHz)	衰减值及精度 Attenuation Value & Accuracy (dB)			最大驻波比 Max. VSWR
	1~10	20	30	
DC-67	-1.5/+2.0	-1.5/+2.0	-1.5/+2.0	1.40

**XSJ10-2.4 50Ω  
Coaxial Fixed Attenuator**

XSJ10-2.4系列同轴固定衰减器 具有体积小, 工作频带宽, 驻波系数低, 衰减值平坦, 抗脉冲, 抗烧毁能力强等特征。

XSJ10-2.4 series coaxial fixed attenuators has the following characteristics: small size, wide working frequency band, low standing wave coefficient, flat attenuation value, anti-pulse, anti-burn ability.



**规格与性能**  
Specification and Performance

**机械性能**  
Mechanical Specifications

型号(Model): xsj5-2.4  
 温度范围(Temp. Range): -55°C~125°C  
 储存(Storage): -55°C~125°C  
 工作(Operating): -55°C~125°C  
 平均功率(Average Power): 5W  
 峰值功率(Peak Power): 20W (5μs pulse, 2.5% duty cycle)  
 重量 (Weight): 30g

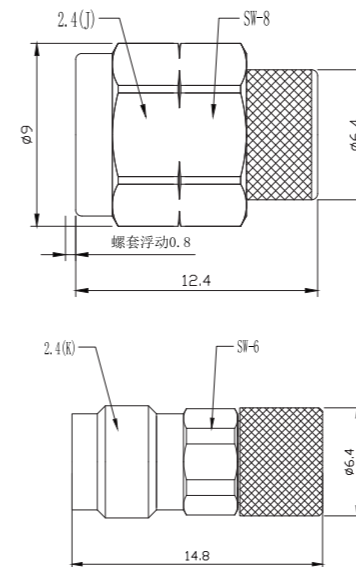
**电气性能**  
Electrical Properties

频率范围 Frequency Range(GHz)	衰减值及精度 Attenuation Value & Accuracy (dB)			最大驻波比 Max. VSWR
	1~10	20	30	
DC-50	-1.0/+1.2	-1.0/+1.2	-1.2/+1.5	1.35

**XSJ5-2.4 50Ω  
Coaxial Fixed Attenuator**

XSJ5-2.4系列同轴固定衰减器 具有体积小, 工作频带宽, 驻波系数低, 衰减值平坦, 抗脉冲, 抗烧毁能力强等特征。

XSJ5-2.4 series coaxial fixed attenuators has the following characteristics: small size, wide working frequency band, low standing wave coefficient, flat attenuation value, anti-pulse, anti-burn ability.



**规格与性能**  
Specification and Performance

**机械性能**  
Mechanical Specifications

型号(Model): XFZ2-2.4  
 温度范围(Temp. Range): -55°C~125°C  
 储存(Storage): -55°C~125°C  
 工作(Operating): -55°C~125°C  
 平均功率(Average Power): 2W  
 峰值功率(Peak Power): 20W (5μs pulse, 0.5% duty cycle)  
 重量 (Weight): 3g

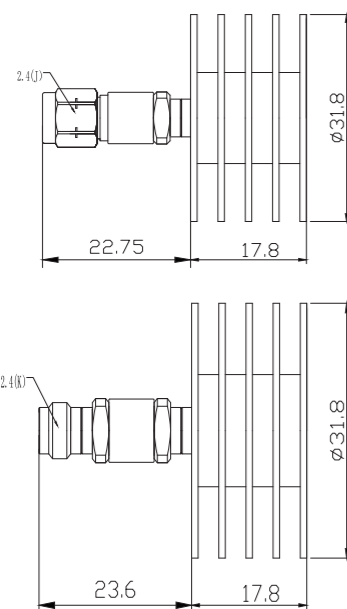
**电气性能**  
Electrical Properties

频率范围 Frequency Range(GHz)	最大驻波比 Max. VSWR
DC-50	1.20

**XFZ2-2.4 50Ω  
Coaxial Fixed Termination**

XFZ2-2.4系列同轴负载具有工作频带宽, 驻波系数低, 抗脉冲, 抗烧毁能力强等特征。

XFZ2-2.4mm series coaxia termination has the following characteristics: wide working frequency band, low standing wave coefficient, strong anti-pulse and anti-burn ability.


**规格与性能**  
**Specification and Performance**
**机械性能**  
**Mechanical Specifications**

型号(Model): XFZ5-2.4  
 温度范围(Temp. Range):  
 储存(Storage): -55°C~125°C  
 工作(Operating): -55°C~125°C  
 平均功率(Average Power): 5W  
 峰值功率(Peak Power): 20W (5μs pulse, 2.5% duty cycle)  
 重量(Weight): 24g

**电气性能**  
**Electrical Properties**

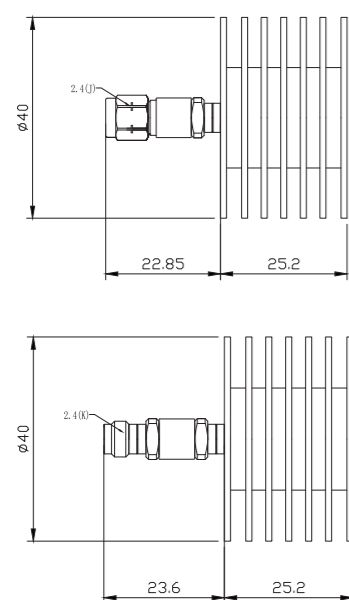
频率范围 Frequency Range(GHz)	最大驻波比 Max. VSWR
DC-50	1.35

## XFZ5-2.4 50Ω Coaxial Fixed Termination

XFZ5-2.4系列同轴负载具有工作频带宽，驻波系数低，抗脉冲，抗烧毁能力强等特征。  
 XFZ5-2.4mm series coaxia termination has the following characteristics: wide working frequency band, low standing wave coefficient, strong anti-pulse and anti-burn ability.



## Coaxial Fixed Attenuator and Termination


**规格与性能**  
**Specification and Performance**
**机械性能**  
**Mechanical Specifications**

型号(Model): XFZ10-2.4  
 温度范围(Temp. Range):  
 储存(Storage): -55°C~125°C  
 工作(Operating): -55°C~125°C  
 平均功率(Average Power): 10W  
 峰值功率(Peak Power): 50W (5μs pulse, 5% duty cycle)  
 重量(Weight): 55g

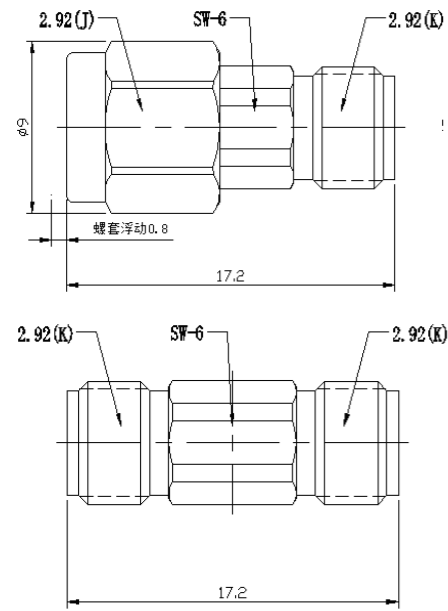
**电气性能**  
**Electrical Properties**

频率范围 Frequency Range(GHz)	最大驻波比 Max. VSWR
DC-50	1.40

## XFZ10-2.4 50Ω Coaxial Fixed Termination

XFZ10-2.4系列同轴负载具有工作频带宽，驻波系数低，抗脉冲，抗烧毁能力强等特征。  
 XFZ10-2.4mm series coaxia termination has the following characteristics: wide working frequency band, low standing wave coefficient, strong anti-pulse and anti-burn ability.





**规格与性能**  
Specification and Performance

**机械性能**  
Mechanical Specifications

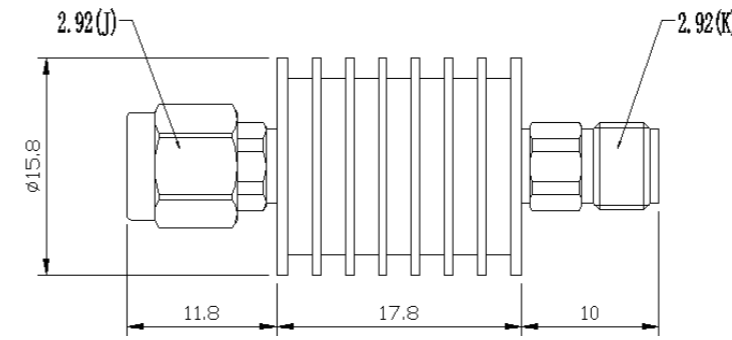
型号(Model): XSJ2A-2.92  
 温度范围(Temp. Range): -55°C~125°C  
 储存(Storage): -55°C~125°C  
 工作(Operating): -55°C~125°C  
 平均功率(Average Power): 2W  
 峰值功率(Peak Power): 20W (5μs pulse, 0.5% duty cycle)  
 重量(Weight): 3g

**电气性能**  
Electrical Properties

频率范围 Frequency Range(GHz)	衰减值及精度 Attenuation Value & Accuracy (dB)			最大驻波比 Max. VSWR
	1~10	20	30	
DC-40	-0.7/+0.8	-0.8/+1.0	-0.8/+1.0	1.25

**XSJ2A-2.92 50Ω**  
Coaxial Fixed Attenuator

XSJ2A-2.92系列同轴固定衰减器具有体积小, 工作频带宽, 驻波系数低, 衰减值平坦, 抗脉冲, 抗烧毁能力强等特征。  
 XSJ2A-2.92 series coaxial fixed attenuators has the following characteristics: small size, wide working frequency band, low standing wave coefficient, flat attenuation value, anti-pulse, anti-burn ability.



**规格与性能**  
Specification and Performance

**机械性能**  
Mechanical Specifications

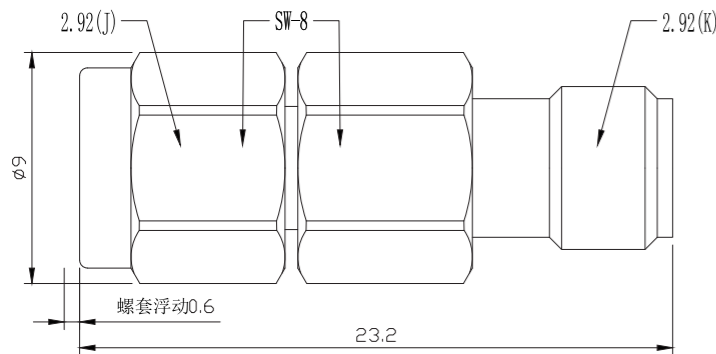
型号(Model): XSJ5-2.92  
 温度范围(Temp. Range): -55°C~125°C  
 储存(Storage): -55°C~125°C  
 工作(Operating): -55°C~125°C  
 平均功率(Average Power): 5W  
 峰值功率(Peak Power): 50W (5μs pulse, 2.5% duty cycle)  
 重量(Weight): 12g

**电气性能**  
Electrical Properties

频率范围 Frequency Range(GHz)	衰减值及精度 Attenuation Value & Accuracy (dB)			最大驻波比 Max. VSWR
	1~10	20	30	
DC-40	-0.6/+1.0	-0.8/+1.0	-0.8/+1.0	1.25

**XSJ5-2.92 50Ω**  
Coaxial Fixed Attenuator

XSJ5-2.92系列同轴固定衰减器具有体积小, 工作频带宽, 驻波系数低, 衰减值平坦, 抗脉冲, 抗烧毁能力强等特征。  
 XSJ5-2.92 series coaxial fixed attenuators has the following characteristics: small size, wide working frequency band, low standing wave coefficient, flat attenuation value, anti-pulse, anti-burn ability.



**规格与性能**  
Specification and Performance

**机械性能**  
Mechanical Specifications

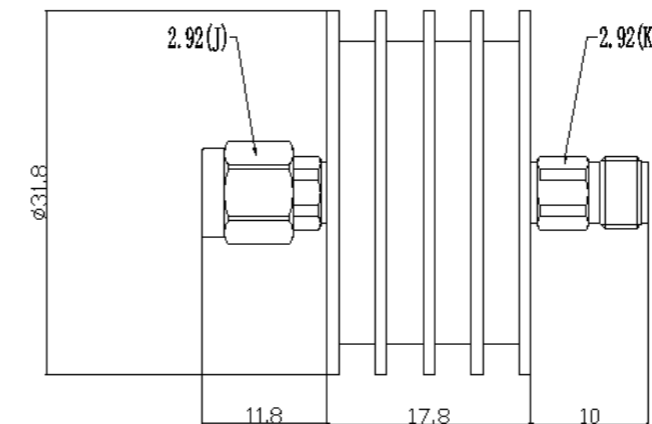
型号(Model): XSJ2B-2.92  
 温度范围(Temp. Range): -55°C~125°C  
 储存(Storage): -55°C~125°C  
 工作(Operating): -55°C~125°C  
 平均功率(Average Power): 2W  
 峰值功率(Peak Power): 20W (5μs pulse, 0.5% duty cycle)  
 重量(Weight): 5g

**电气性能**  
Electrical Properties

频率范围 Frequency Range(GHz)	衰减值及精度 Attenuation Value & Accuracy (dB)			最大驻波比 Max. VSWR
	1~10	20	30	
DC-40	-0.7/+0.8	-0.8/+1.0	-0.8/+1.0	1.25

**XSJ2B-2.92 50Ω**  
Coaxial Fixed Attenuator

XSJ2B-2.92系列同轴固定衰减器具有体积小, 工作频带宽, 驻波系数低, 衰减值平坦, 抗脉冲, 抗烧毁能力强等特征。  
 XSJ2B-2.92 series coaxial fixed attenuators has the following characteristics: small size, wide working frequency band, low standing wave coefficient, flat attenuation value, anti-pulse, anti-burn ability.



**规格与性能**  
Specification and Performance

**机械性能**  
Mechanical Specifications

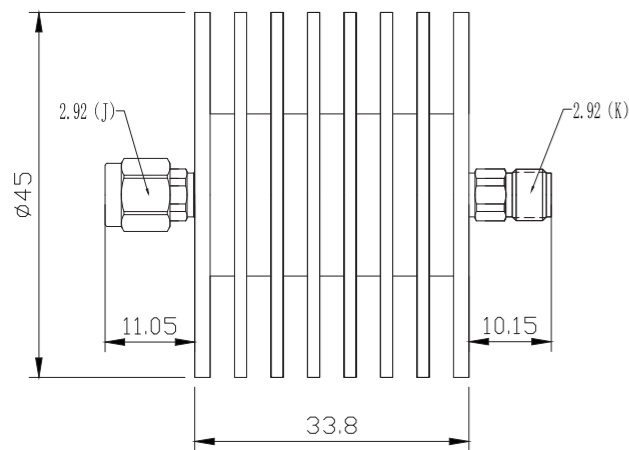
型号(Model): XSJ10-2.92  
 温度范围(Temp. Range): -55°C~125°C  
 储存(Storage): -55°C~125°C  
 工作(Operating): -55°C~125°C  
 平均功率(Average Power): 10W  
 峰值功率(Peak Power): 100W (5μs pulse, 5% duty cycle)  
 重量(Weight): 34g

**电气性能**  
Electrical Properties

频率范围 Frequency Range(GHz)	衰减值及精度 Attenuation Value & Accuracy (dB)			最大驻波比 Max. VSWR
	1~10	20	30	
DC-40	-0.6/+1.0	-0.8/+1.0	-0.8/+1.0	1.25

**XSJ10-2.92 50Ω**  
Coaxial Fixed Attenuator

XSJ10-2.92系列同轴固定衰减器具有体积小, 工作频带宽, 驻波系数低, 衰减值平坦, 抗脉冲, 抗烧毁能力强等特征。  
 XSJ10-2.92 series coaxial fixed attenuators has the following characteristics: small size, wide working frequency band, low standing wave coefficient, flat attenuation value, anti-pulse, anti-burn ability.



**规格与性能**  
Specification and Performance

**机械性能**  
Mechanical Specifications

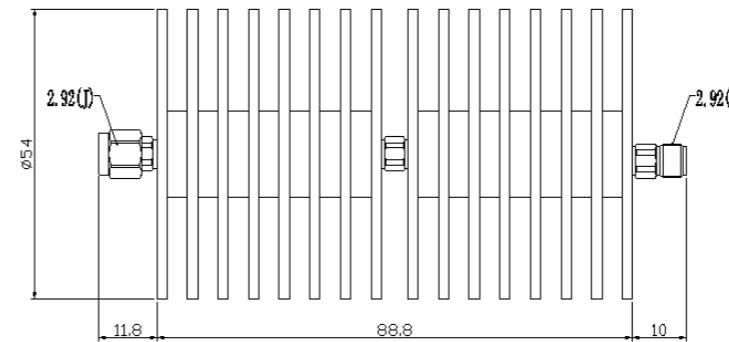
型号(Model): XSJ20-2.92  
 温度范围(Temp. Range): -55°C~125°C  
 储存(Storage): -55°C~125°C  
 工作(Operating): -55°C~125°C  
 平均功率(Average Power): 20W  
 峰值功率(Peak Power): 200W (5μs pulse, 5% duty cycle)  
 重量 (Weight): 65g

**电气性能**  
Electrical Properties

频率范围 Frequency Range(GHz)	衰减值及精度 Attenuation Value & Accuracy (dB)				最大驻波比 Max. VSWR
	3-10	15	20	30	
DC-40	-1.5/+1.5	-1.5/+1.5	-1.5/+1.5	-1.5/+1.5	1.30

**XSJ20-2.92 50Ω  
Coaxial Fixed Attenuator**

XSJ20-2.92系列同轴固定衰减器 具有体积小, 工作频带宽, 驻波系数低, 衰减平坦, 抗脉冲, 抗烧毁能力强等特征。  
 XSJ20-2.92 series coaxial fixed attenuators has the following characteristics: small size, wide working frequency band, low standing wave coefficient, flat attenuation value, anti-pulse, anti-burn ability.



**规格与性能**  
Specification and Performance

**机械性能**  
Mechanical Specifications

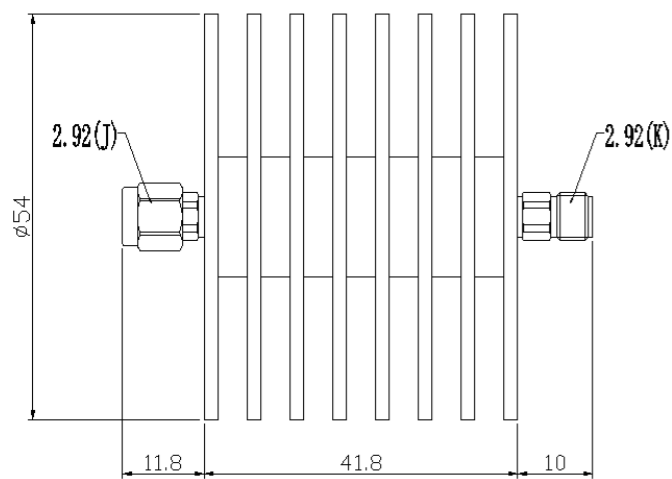
型号(Model): XSJ50-2.92  
 温度范围(Temp. Range): -55°C~125°C  
 储存(Storage): -55°C~125°C  
 工作(Operating): -55°C~125°C  
 平均功率(Average Power): 50W  
 峰值功率(Peak Power): 200W (5μs pulse, 5% duty cycle)  
 重量 (Weight): 230g

**电气性能**  
Electrical Properties

频率范围 Frequency Range(GHz)	衰减值及精度 Attenuation Value & Accuracy (dB)			最大驻波比 Max. VSWR
	20	30	40	
DC-40	-3.0/+3.0	-3.0/+3.0	-3.0/+3.0	1.35

**XSJ50-2.92 50Ω  
Coaxial Fixed Attenuator**

XSJ50-2.92系列同轴固定衰减器 具有体积小, 工作频带宽, 驻波系数低, 衰减平坦, 抗脉冲, 抗烧毁能力强等特征。  
 XSJ50-2.92 series coaxial fixed attenuators has the following characteristics: small size, wide working frequency band, low standing wave coefficient, flat attenuation value, anti-pulse, anti-burn ability.



**规格与性能**  
Specification and Performance

**机械性能**  
Mechanical Specifications

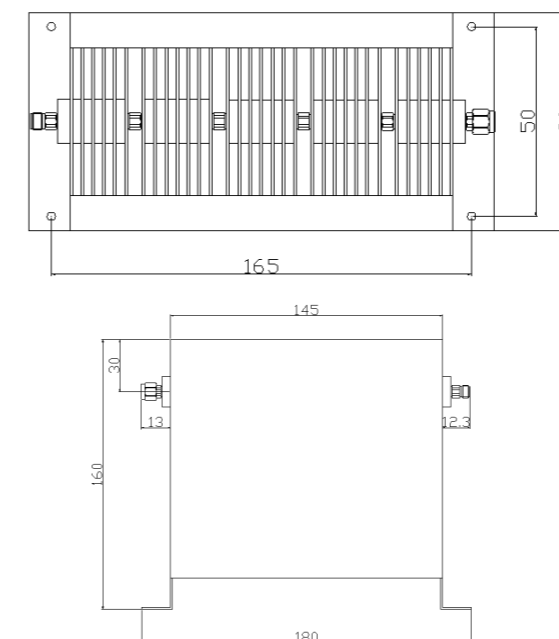
型号(Model): XSJ30-2.92  
 温度范围(Temp. Range): -55°C~125°C  
 储存(Storage): -55°C~125°C  
 工作(Operating): -55°C~125°C  
 平均功率(Average Power): 30W  
 峰值功率(Peak Power): 200W (5μs pulse, 5% duty cycle)  
 重量 (Weight): 115g

**电气性能**  
Electrical Properties

频率范围 Frequency Range(GHz)	衰减值及精度 Attenuation Value & Accuracy (dB)			最大驻波比 Max. VSWR
	20	30	40	
DC-40	-1.5/+2.0	-1.5/+2.0	-1.5/+2.0	1.35

**XSJ30-2.92 50Ω  
Coaxial Fixed Attenuator**

XSJ30-2.92系列同轴固定衰减器 具有体积小, 工作频带宽, 驻波系数低, 衰减平坦, 抗脉冲, 抗烧毁能力强等特征。  
 XSJ30-2.92 series coaxial fixed attenuators has the following characteristics: small size, wide working frequency band, low standing wave coefficient, flat attenuation value, anti-pulse, anti-burn ability.



**规格与性能**  
Specification and Performance

**机械性能**  
Mechanical Specifications

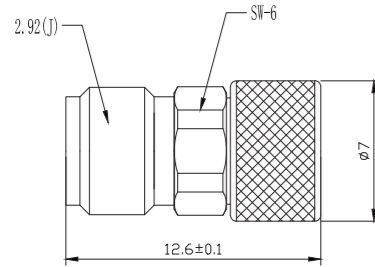
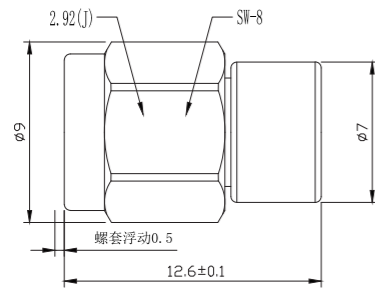
型号(Model): XSJ100-2.92  
 温度范围(Temp. Range): -55°C~125°C  
 储存(Storage): -55°C~125°C  
 工作(Operating): -55°C~125°C  
 平均功率(Average Power): 100W  
 峰值功率(Peak Power): 1000W (5μs pulse, 5% duty cycle)  
 重量 (Weight): 900g

**电气性能**  
Electrical Properties

频率范围 Frequency Range(GHz)	衰减值及精度 Attenuation Value & Accuracy (dB)			最大驻波比 Max. VSWR
	20	30	40	
DC-40	-4.0/+4.0	-4.0/+4.0	-4.0/+4.0	1.40

**XSJ100-2.92 50Ω  
Coaxial Fixed Attenuator**

XSJ100-2.92系列同轴固定衰减器 具有工作频带宽, 驻波系数低, 衰减平坦, 抗脉冲, 抗烧毁能力强等特征。  
 XSJ100-2.92 series coaxial fixed attenuators has the following characteristics: small size, wide working frequency band, low standing wave coefficient, flat attenuation value, anti-pulse, anti-burn ability.



**规格与性能**  
Specification and Performance

**机械性能**  
Mechanical Specifications

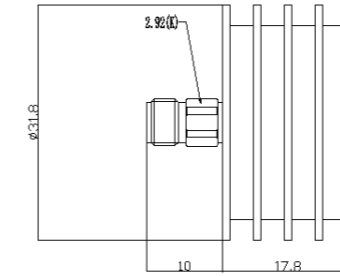
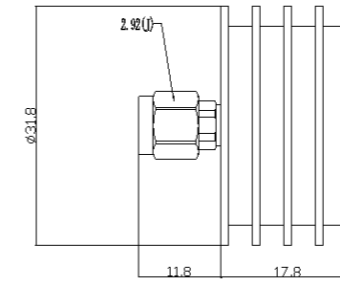
型号(Model): XFZ2-2.92  
 温度范围(Temp. Range): -55°C~125°C  
 储存(Storage): -55°C~125°C  
 工作(Operating): -55°C~125°C  
 平均功率(Average Power): 2W  
 峰值功率(Peak Power): 10W (5μs pulse, 0.5% duty cycle)  
 重量(Weight): 3g

**电气性能**  
Electrical Properties

频率范围 Frequency Range(GHz)	最大驻波比 Max. VSWR
DC-40	1.20

**XFZ2-2.92 50Ω**  
Coaxial Fixed Termination

XFZ2-2.92系列同轴负载具有工作频带宽，驻波系数低，抗脉冲，抗烧毁能力强等特征。  
 XFZ2-2.92mm series coaxia termination has the following characteristics: wide working frequency band, low standing wave coefficient, strong anti-pulse and anti-burn ability.



**规格与性能**  
Specification and Performance

**机械性能**  
Mechanical Specifications

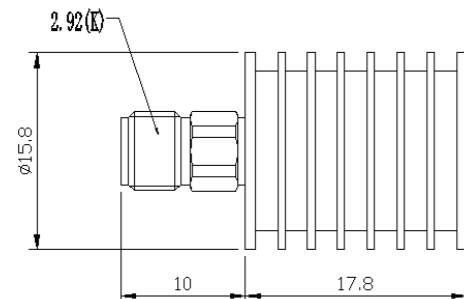
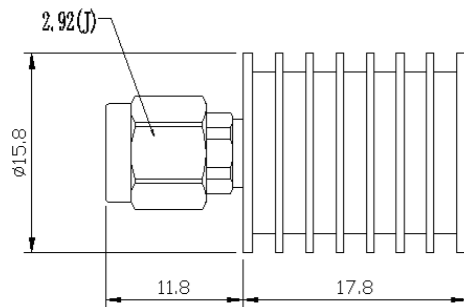
型号(Model): XFZ10-2.92  
 温度范围(Temp. Range): -55°C~125°C  
 储存(Storage): -55°C~125°C  
 工作(Operating): -55°C~125°C  
 平均功率(Average Power): 10W  
 峰值功率(Peak Power): 100W (5μs pulse, 5% duty cycle)  
 重量(Weight): 33g

**电气性能**  
Electrical Properties

频率范围 Frequency Range(GHz)	最大驻波比 Max. VSWR
DC-40	1.25

**XFZ10-2.92 50Ω**  
Coaxial Fixed Termination

XFZ10-2.92系列同轴负载具有工作频带宽，驻波系数低，抗脉冲，抗烧毁能力强等特征。  
 XFZ10-2.92mm series coaxia termination has the following characteristics: wide working frequency band, low standing wave coefficient, strong anti-pulse and anti-burn ability.



**规格与性能**  
Specification and Performance

**机械性能**  
Mechanical Specifications

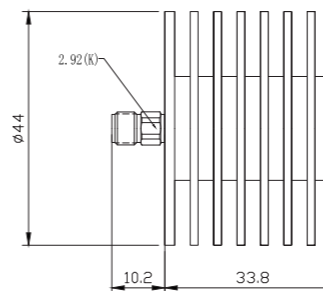
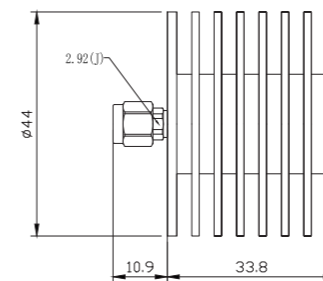
型号(Model): XFZ5-2.92  
 温度范围(Temp. Range): -55°C~125°C  
 储存(Storage): -55°C~125°C  
 工作(Operating): -55°C~125°C  
 平均功率(Average Power): 5W  
 峰值功率(Peak Power): 20W (5μs pulse, 2.5% duty cycle)  
 重量(Weight): 10g

**电气性能**  
Electrical Properties

频率范围 Frequency Range(GHz)	最大驻波比 Max. VSWR
DC-40	1.25

**XFZ5-2.92 50Ω**  
Coaxial Fixed Termination

XFZ5-2.92系列同轴负载具有工作频带宽，驻波系数低，抗脉冲，抗烧毁能力强等特征。  
 XFZ5-2.92mm series coaxia termination has the following characteristics: wide working frequency band, low standing wave coefficient, strong anti-pulse and anti-burn ability.



**规格与性能**  
Specification and Performance

**机械性能**  
Mechanical Specifications

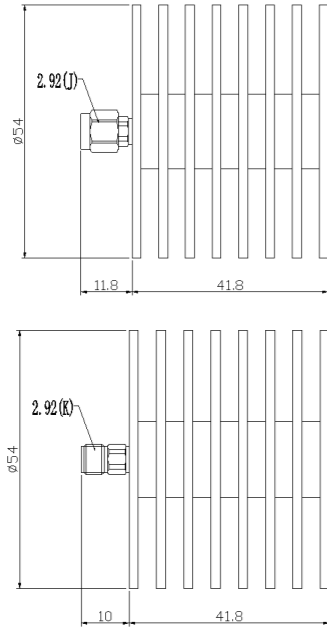
型号(Model): XFZ20-2.92  
 温度范围(Temp. Range): -55°C~125°C  
 储存(Storage): -55°C~125°C  
 工作(Operating): -55°C~125°C  
 平均功率(Average Power): 20W  
 峰值功率(Peak Power): 200W (5μs pulse, 5% duty cycle)  
 重量(Weight): 63g

**电气性能**  
Electrical Properties

频率范围 Frequency Range(GHz)	最大驻波比 Max. VSWR
DC-40	1.30

**XFZ20-2.92 50Ω**  
Coaxial Fixed Termination

XFZ20-2.92系列同轴负载具有工作频带宽，驻波系数低，抗脉冲，抗烧毁能力强等特征。  
 XFZ20-2.92mm series coaxia termination has the following characteristics: wide working frequency band, low standing wave coefficient, strong anti-pulse and anti-burn ability.



**规格与性能**  
Specification and Performance

**机械性能**  
Mechanical Specifications

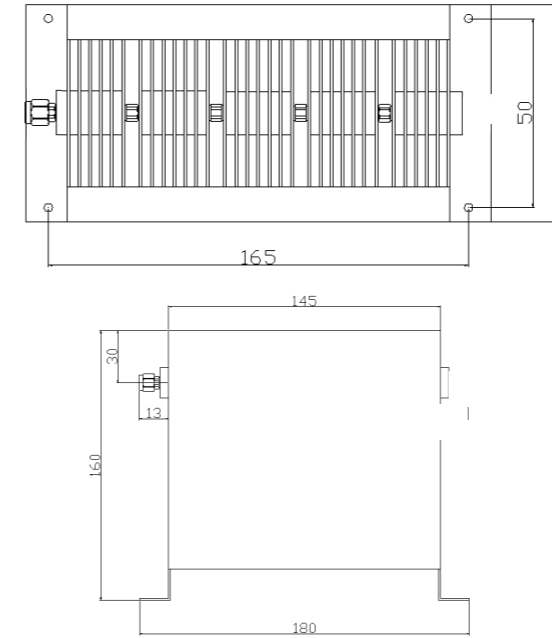
型号(Model): XFZ30-2.92  
 温度范围(Temp. Range)  
 储存(Storage): -55°C~125°C  
 工作(Operating): -55°C~125°C  
 平均功率(Average Power): 30W  
 峰值功率(Peak Power): 200W (5μs pulse, 5% duty cycle)  
 重量(Weight): 113g

**电气性能**  
Electrical Properties

频率范围 Frequency Range(GHz)	最大驻波比 Max. VSWR
DC-40	1.30

**XFZ30-2.92 50Ω**  
Coaxial Fixed Termination

XFZ30-2.92系列同轴负载具有工作频带宽，驻波系数低，抗脉冲，抗烧毁能力强等特征。  
 XFZ30-2.92mm series coaxia termination has the following characteristics: wide working frequency band, low standing wave coefficient, strong anti-pulse and anti-burn ability.



**规格与性能**  
Specification and Performance

**机械性能**  
Mechanical Specifications

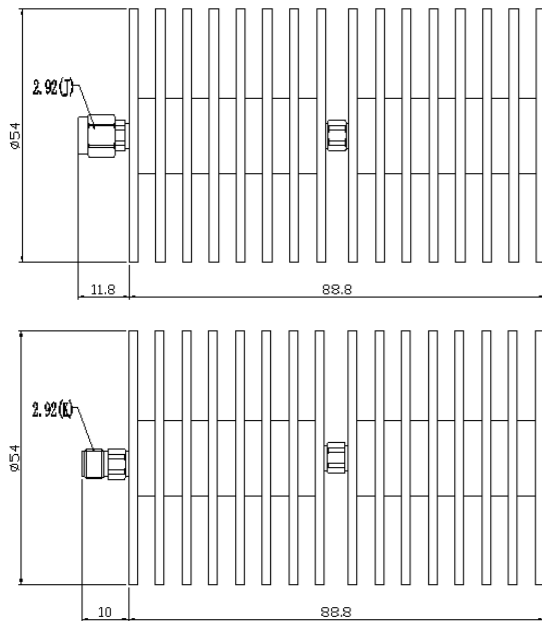
型号(Model): XFZ100-2.92  
 温度范围(Temp. Range)  
 储存(Storage): -55°C~125°C  
 工作(Operating): -55°C~125°C  
 平均功率(Average Power): 100W  
 峰值功率(Peak Power): 1000W (5μs pulse, 5% duty cycle)  
 重量(Weight): 890g

**电气性能**  
Electrical Properties

频率范围 Frequency Range(GHz)	最大驻波比 Max. VSWR
DC-40	1.40

**XFZ100-2.92 50Ω**  
Coaxial Fixed Termination

XFZ100-2.92系列同轴负载具有工作频带宽，驻波系数低，抗脉冲，抗烧毁能力强等特征。  
 XFZ100-2.92mm series coaxia termination has the following characteristics: wide working frequency band, low standing wave coefficient, strong anti-pulse and anti-burn ability.



**规格与性能**  
Specification and Performance

**机械性能**  
Mechanical Specifications

型号(Model): XFZ50-2.92  
 温度范围(Temp. Range)  
 储存(Storage): -55°C~125°C  
 工作(Operating): -55°C~125°C  
 平均功率(Average Power): 50W  
 峰值功率(Peak Power): 200W (5μs pulse, 5% duty cycle)  
 重量(Weight): 220g

**电气性能**  
Electrical Properties

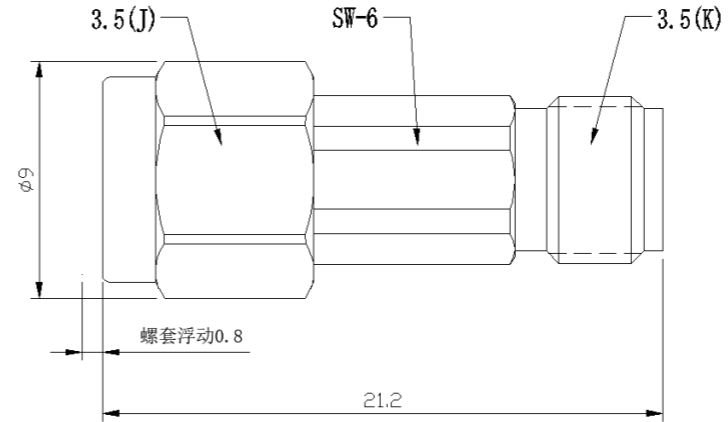
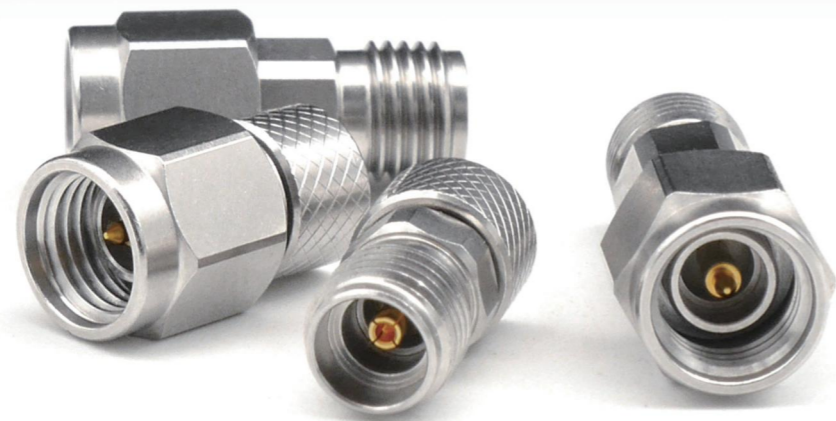
频率范围 Frequency Range(GHz)	最大驻波比 Max. VSWR
DC-40	1.35

**XFZ50-2.92 50Ω**  
Coaxial Fixed Termination

XFZ50-2.92系列同轴负载具有工作频带宽，驻波系数低，抗脉冲，抗烧毁能力强等特征。  
 XFZ50-2.92mm series coaxia termination has the following characteristics: wide working frequency band, low standing wave coefficient, strong anti-pulse and anti-burn ability.

# Coaxial Fixed Attenuator and Termination

## Coaxial Fixed Attenuator and Termination



### XSJ2-3.5 50Ω Coaxial Fixed Attenuator

#### 规格与性能 Specification and Performance

##### 机械性能 Mechanical Specifications

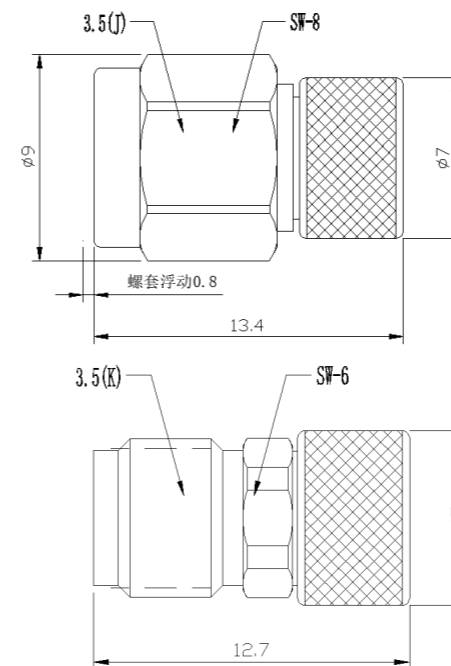
型号(Model): XSJ2-3.5  
 温度范围(Temp. Range)  
 储存(Storage): -55°C~125°C  
 工作(Operating): -55°C~125°C  
 平均功率(Average Power): 2W  
 峰值功率(Peak Power): 20W (5μs pulse, 0.5% duty cycle)  
 重量(Weight): 5g

##### 电气性能 Electrical Properties

频率范围 Frequency Range(GHz)	衰减值及精度 Attenuation Value & Accuracy (dB)			最大驻波比 Max. VSWR
	1~10	20	30	
DC-33	-0.7/+0.8	-0.8/+0.8	-0.8/+0.8	1.25

XSJ2-3.5系列同轴固定衰减器具有体积小, 工作频带宽, 驻波系数低, 衰减平坦, 抗脉冲, 抗烧毁能力强等特征。

XSJ2-3.5 series coaxial fixed attenuators has the following characteristics: small size, wide working frequency band, low standing wave coefficient, flat attenuation value, anti-pulse, anti-burn ability.



### XFZ2-3.5 50Ω Coaxial Fixed Termination

#### 规格与性能 Specification and Performance

##### 机械性能 Mechanical Specifications

型号(Model): XFZ2-3.5  
 温度范围(Temp. Range)  
 储存(Storage): -55°C~125°C  
 工作(Operating): -55°C~125°C  
 平均功率(Average Power): 2W  
 峰值功率(Peak Power): 20W (5μs pulse, 0.5% duty cycle)  
 重量(Weight): 3g

##### 电气性能 Electrical Properties

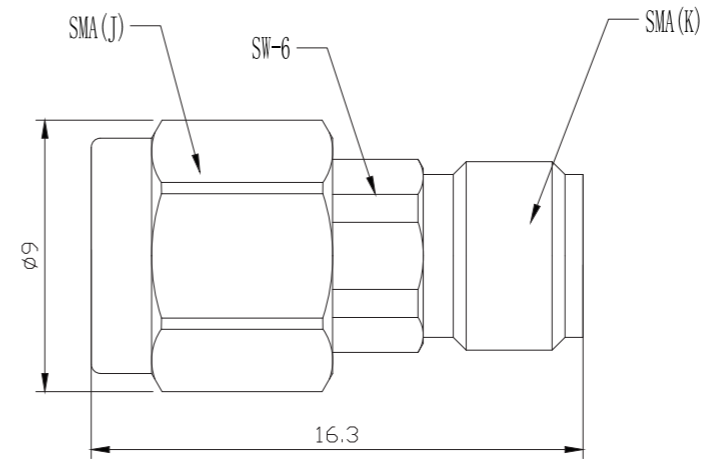
频率范围 Frequency Range(GHz)	最大驻波比 Max. VSWR
DC-33	1.15

XFZ2-3.5系列同轴负载具有工作频带宽, 驻波系数低, 抗脉冲, 抗烧毁能力强等特征。

XFZ2-3.5mm series coaxia termination has the following characteristics: wide working frequency band, low standing wave coefficient, strong anti-pulse and anti-burn ability.

# SMA

Coaxial Fixed Attenuator and Termination



## XSJ2-SMA 50 $\Omega$ Coaxial Fixed Attenuator

### 规格与性能 Specification and Performance

#### 机械性能 Mechanical Specifications

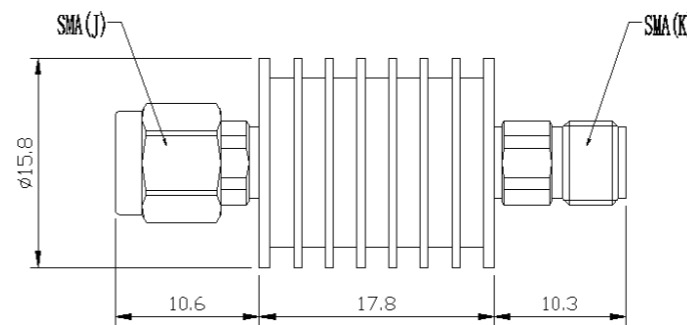
型号(Model): XSJ2-SMA  
 温度范围(Temp. Range):  
 储存(Storage): -55 $^{\circ}$ C~125 $^{\circ}$ C  
 工作(Operating): -55 $^{\circ}$ C~125 $^{\circ}$ C  
 平均功率(Average Power): 2W  
 峰值功率(Peak Power): 20W (5 $\mu$ s pulse, 0.5% duty cycle)  
 重量(Weight): 3g

#### 电气性能 Electrical Properties

频率范围 Frequency Range(GHz)	衰减值及精度 Attenuation Value & Accuracy (dB)			最大驻波比 Max. VSWR
	1~10	20	30	
DC-27	-0.6/+0.6	-0.6/+0.6	-0.6/+0.6	1.25

XSJ2-SMA系列同轴固定衰减器 具有体积小, 工作频带宽, 驻波系数低, 衰减值平坦, 抗脉冲, 抗烧毁能力强等特征。

XSJ2-SMA series coaxial fixed attenuators has the following characteristics: small size, wide working frequency band, low standing wave coefficient, flat attenuation value, anti-pulse, anti-burn ability.



## XSJ5-SMA 50 $\Omega$ Coaxial Fixed Attenuator

### 规格与性能 Specification and Performance

#### 机械性能 Mechanical Specifications

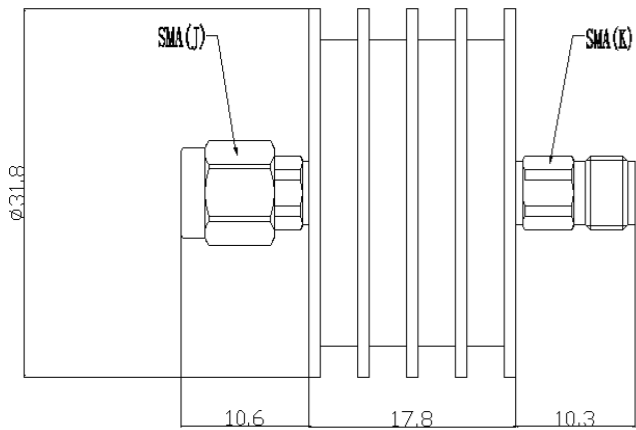
型号(Model): XSJ5-SMA  
 温度范围(Temp. Range):  
 储存(Storage): -55 $^{\circ}$ C~125 $^{\circ}$ C  
 工作(Operating): -55 $^{\circ}$ C~125 $^{\circ}$ C  
 平均功率(Average Power): 5W  
 峰值功率(Peak Power): 50W (5 $\mu$ s pulse, 2.5% duty cycle)  
 重量(Weight): 12g

#### 电气性能 Electrical Properties

频率范围 Frequency Range(GHz)	衰减值及精度 Attenuation Value & Accuracy (dB)			最大驻波比 Max. VSWR
	1~10	20	30	
DC-26.5	-0.6/+0.8	-0.8/+0.8	-0.8/+1.0	1.25

XSJ5-SMA系列同轴固定衰减器 具有体积小, 工作频带宽, 驻波系数低, 衰减值平坦, 抗脉冲, 抗烧毁能力强等特征。

XSJ5-SMA series coaxial fixed attenuators has the following characteristics: small size, wide working frequency band, low standing wave coefficient, flat attenuation value, anti-pulse, anti-burn ability.



**规格与性能**  
Specification and Performance

**机械性能**  
Mechanical Specifications

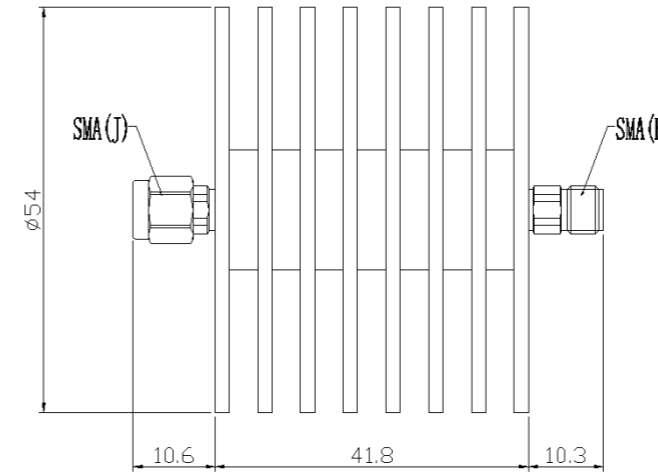
型号(Model): XSJ10-SMA  
 温度范围(Temp. Range): -55°C~125°C  
 储存(Storage): -55°C~125°C  
 工作(Operating): -55°C~125°C  
 平均功率(Average Power): 10W  
 峰值功率(Peak Power): 100W (5μs pulse, 5% duty cycle)  
 重量(Weight): 34g

**电气性能**  
Electrical Properties

频率范围 Frequency Range(GHz)	衰减值及精度 Attenuation Value & Accuracy (dB)			最大驻波比 Max. VSWR
	1~10	20	30	
DC~26.5	-0.6/+0.8	-0.8/+0.8	-0.8/+1.0	1.25

**XSJ10-SMA 50Ω**  
Coaxial Fixed Attenuator

XSJ10-SMA系列同轴固定衰减器 具有工作频带宽, 驻波系数低, 衰减值平坦, 抗脉冲, 抗烧毁能力强等特征。  
 XSJ10-SMA series coaxial fixed attenuators has the following characteristics: small size, wide working frequency band, low standing wave coefficient, flat attenuation value, anti-pulse, anti-burn ability.



**规格与性能**  
Specification and Performance

**机械性能**  
Mechanical Specifications

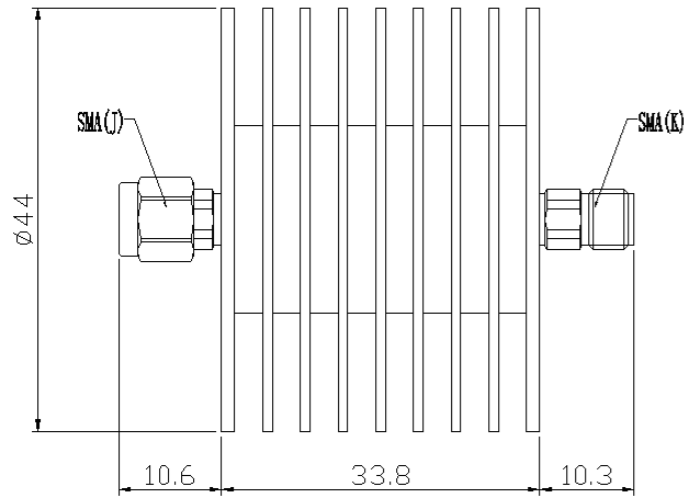
型号(Model): XSJ30-SMA  
 温度范围(Temp. Range): -55°C~125°C  
 储存(Storage): -55°C~125°C  
 工作(Operating): -55°C~125°C  
 平均功率(Average Power): 30W  
 峰值功率(Peak Power): 200W (5μs pulse, 5% duty cycle)  
 重量(Weight): 115g

**电气性能**  
Electrical Properties

频率范围 Frequency Range(GHz)	衰减值及精度 Attenuation Value & Accuracy (dB)			最大驻波比 Max. VSWR
	10	20	30	
DC~26.5	-1.5/+1.5	-1.5/+1.5	-1.5/+1.5	1.30

**XSJ30-SMA 50Ω**  
Coaxial Fixed Attenuator

XSJ30-SMA系列同轴固定衰减器 具有工作频带宽, 驻波系数低, 衰减值平坦, 抗脉冲, 抗烧毁能力强等特征。  
 XSJ30-SMA series coaxial fixed attenuators has the following characteristics: small size, wide working frequency band, low standing wave coefficient, flat attenuation value, anti-pulse, anti-burn ability.



**规格与性能**  
Specification and Performance

**机械性能**  
Mechanical Specifications

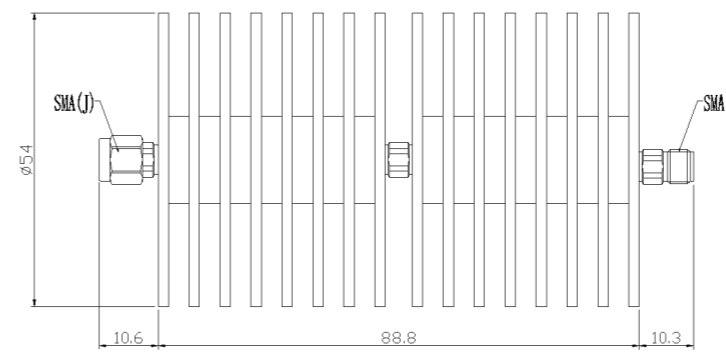
型号(Model): XSJ20-SMA  
 温度范围(Temp. Range): -55°C~125°C  
 储存(Storage): -55°C~125°C  
 工作(Operating): -55°C~125°C  
 平均功率(Average Power): 20W  
 峰值功率(Peak Power): 200W (5μs pulse, 5% duty cycle)  
 重量(Weight): 65g

**电气性能**  
Electrical Properties

频率范围 Frequency Range(GHz)	衰减值及精度 Attenuation Value & Accuracy (dB)			最大驻波比 Max. VSWR
	10	20	30	
DC~26.5	-1.5/+1.5	-1.5/+1.5	-1.5/+1.5	1.30

**XSJ20-SMA 50Ω**  
Coaxial Fixed Attenuator

XSJ20-SMA系列同轴固定衰减器 具有工作频带宽, 驻波系数低, 衰减值平坦, 抗脉冲, 抗烧毁能力强等特征。  
 XSJ20-SMA series coaxial fixed attenuators has the following characteristics: small size, wide working frequency band, low standing wave coefficient, flat attenuation value, anti-pulse, anti-burn ability.



**规格与性能**  
Specification and Performance

**机械性能**  
Mechanical Specifications

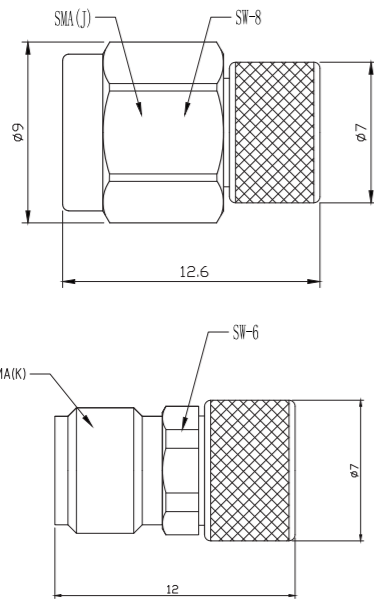
型号(Model): XSJ50-SMA  
 温度范围(Temp. Range): -55°C~125°C  
 储存(Storage): -55°C~125°C  
 工作(Operating): -55°C~125°C  
 平均功率(Average Power): 50W  
 峰值功率(Peak Power): 200W (5μs pulse, 5% duty cycle)  
 重量(Weight): 230g

**电气性能**  
Electrical Properties

频率范围 Frequency Range(GHz)	衰减值及精度 Attenuation Value & Accuracy (dB)			最大驻波比 Max. VSWR
	10	20	30	
DC~26.5	-1.5/+2.0	-1.5/+2.0	-1.5/+2.0	1.30

**XSJ50-SMA 50Ω**  
Coaxial Fixed Attenuator

XSJ50-SMA系列同轴固定衰减器 具有工作频带宽, 驻波系数低, 衰减值平坦, 抗脉冲, 抗烧毁能力强等特征。  
 XSJ50-SMA series coaxial fixed attenuators has the following characteristics: small size, wide working frequency band, low standing wave coefficient, flat attenuation value, anti-pulse, anti-burn ability.



**规格与性能**  
Specification and Performance

**机械性能**  
Mechanical Specifications

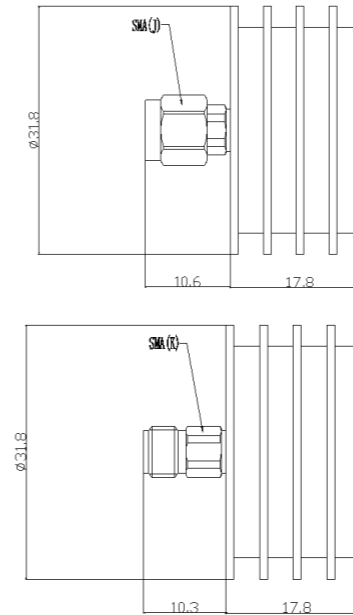
型号(Model): XFZ2-SMA  
 温度范围(Temp. Range):  
 储存(Storage):  $-55^{\circ}\text{C}\sim 125^{\circ}\text{C}$   
 工作(Operating):  $-55^{\circ}\text{C}\sim 125^{\circ}\text{C}$   
 平均功率(Average Power): 2W  
 峰值功率(Peak Power): 20W (5 $\mu\text{s}$  pulse, 0.5% duty cycle)  
 重量 (Weight): 3g

**电气性能**  
Electrical Properties

频率范围 Frequency Range(GHz)	最大驻波比 Max. VSWR
DC-26.5	1.25

**XFZ2-SMA 50 $\Omega$**   
Coaxial Fixed Termination

XFZ2-SMA系列同轴负载具有工作频带宽, 驻波系数低, 抗脉冲, 抗烧毁能力强等特征。  
 XFZ2-SMA series coaxia termination has the following characteristics: wide working frequency band, low standing wave coefficient, strong anti-pulse and anti-burn ability.



**规格与性能**  
Specification and Performance

**机械性能**  
Mechanical Specifications

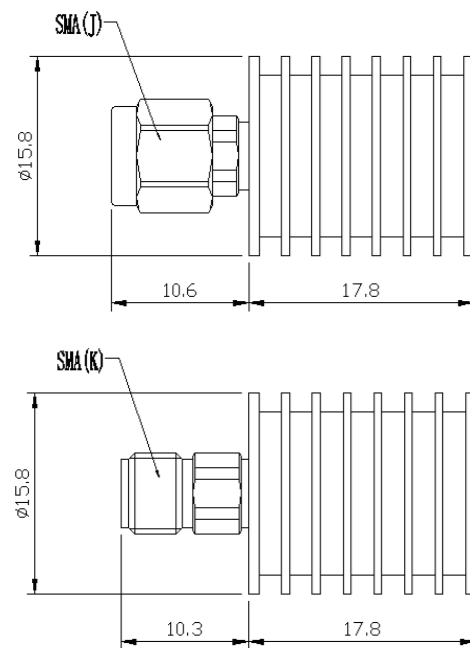
型号(Model): XFZ10-SMA  
 温度范围(Temp. Range):  
 储存(Storage):  $-55^{\circ}\text{C}\sim 125^{\circ}\text{C}$   
 工作(Operating):  $-55^{\circ}\text{C}\sim 125^{\circ}\text{C}$   
 平均功率(Average Power): 10W  
 峰值功率(Peak Power): 100W (5 $\mu\text{s}$  pulse, 5% duty cycle)  
 重量 (Weight): 32g

**电气性能**  
Electrical Properties

频率范围 Frequency Range(GHz)	最大驻波比 Max. VSWR
DC-26.5	1.25

**XFZ10-SMA 50 $\Omega$**   
Coaxial Fixed Termination

XFZ10-SMA系列同轴负载具有工作频带宽, 驻波系数低, 抗脉冲, 抗烧毁能力强等特征。  
 XFZ10-SMA series coaxia termination has the following characteristics: wide working frequency band, low standing wave coefficient, strong anti-pulse and anti-burn ability.



**规格与性能**  
Specification and Performance

**机械性能**  
Mechanical Specifications

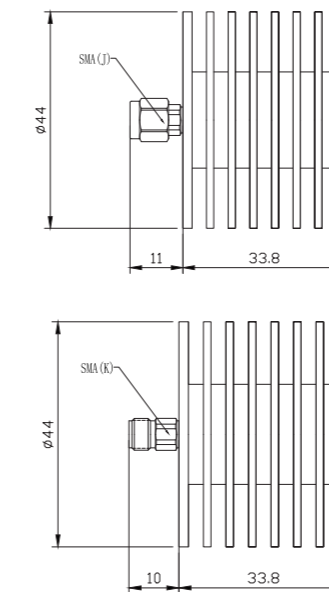
型号(Model): XFZ5-SMA  
 温度范围(Temp. Range):  
 储存(Storage):  $-55^{\circ}\text{C}\sim 125^{\circ}\text{C}$   
 工作(Operating):  $-55^{\circ}\text{C}\sim 125^{\circ}\text{C}$   
 平均功率(Average Power): 5W  
 峰值功率(Peak Power): 20W (5 $\mu\text{s}$  pulse, 2.5 duty cycle)  
 重量 (Weight): 10g

**电气性能**  
Electrical Properties

频率范围 Frequency Range(GHz)	最大驻波比 Max. VSWR
DC-26.5	1.25

**XFZ5-SMA 50 $\Omega$**   
Coaxial Fixed Termination

XFZ5-SMA系列同轴负载具有工作频带宽, 驻波系数低, 抗脉冲, 抗烧毁能力强等特征。  
 XFZ5-SMA series coaxia termination has the following characteristics: wide working frequency band, low standing wave coefficient, strong anti-pulse and anti-burn ability.



**规格与性能**  
Specification and Performance

**机械性能**  
Mechanical Specifications

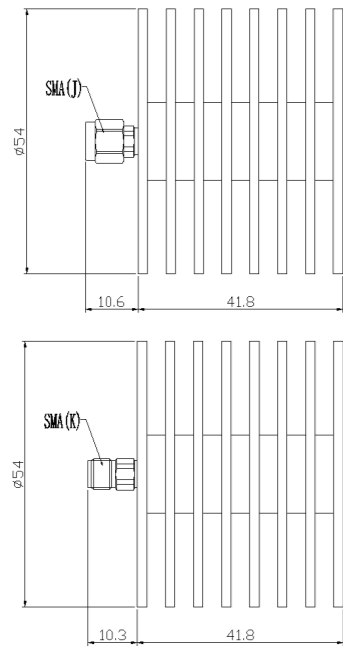
型号(Model): XFZ20-SMA  
 温度范围(Temp. Range):  
 储存(Storage):  $-55^{\circ}\text{C}\sim 125^{\circ}\text{C}$   
 工作(Operating):  $-55^{\circ}\text{C}\sim 125^{\circ}\text{C}$   
 平均功率(Average Power): 20W  
 峰值功率(Peak Power): 200W (5 $\mu\text{s}$  pulse, 5% duty cycle)  
 重量 (Weight): 60g

**电气性能**  
Electrical Properties

频率范围 Frequency Range(GHz)	最大驻波比 Max. VSWR
DC-26.5	1.30

**XFZ20-SMA 50 $\Omega$**   
Coaxial Fixed Termination

XFZ20-SMA系列同轴负载具有工作频带宽, 驻波系数低, 抗脉冲, 抗烧毁能力强等特征。  
 XFZ20-SMA series coaxia termination has the following characteristics: wide working frequency band, low standing wave coefficient, strong anti-pulse and anti-burn ability.


**规格与性能**  
**Specification and Performance**
**机械性能**  
**Mechanical Specifications**

型号(Model): XFZ30-SMA  
 温度范围(Temp. Range):  
 储存(Storage): -55°C~125°C  
 工作(Operating): -55°C~125°C  
 平均功率(Average Power): 30W  
 峰值功率(Peak Power): 200W (5μs pulse, 5% duty cycle)  
 重量 (Weight): 110g

**电气性能**  
**Electrical Properties**

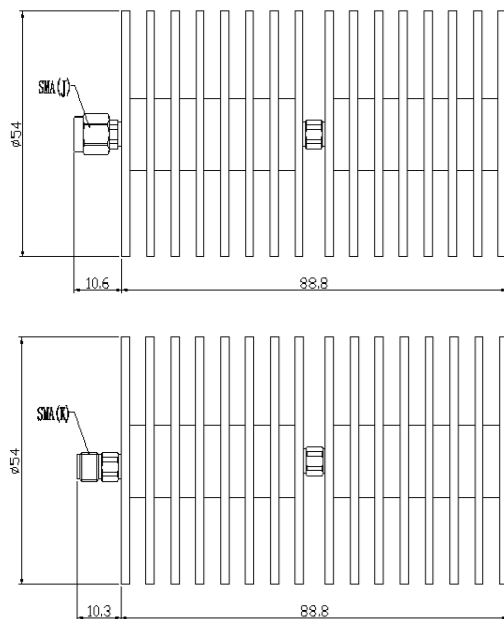
频率范围 Frequency Range(GHz)	最大驻波比 Max. VSWR
DC-26.5	1.30

## XFZ30-SMA 50Ω Coaxial Fixed Termination

XFZ30-SMA系列同轴负载具有工作频带宽，驻波系数低，抗脉冲，抗烧毁能力强等特征。  
 XFZ30-SMA series coaxia termination has the following characteristics: wide working frequency band, low standing wave coefficient, strong anti-pulse and anti-burn ability.

# FN

## Coaxial Fixed Attenuator and Termination


**规格与性能**  
**Specification and Performance**
**机械性能**  
**Mechanical Specifications**

型号(Model): XFZ50-SMA  
 温度范围(Temp. Range):  
 储存(Storage): -55°C~125°C  
 工作(Operating): -55°C~125°C  
 平均功率(Average Power): 50W  
 峰值功率(Peak Power): 200W (5μs pulse, 5% duty cycle)  
 重量 (Weight): 220g

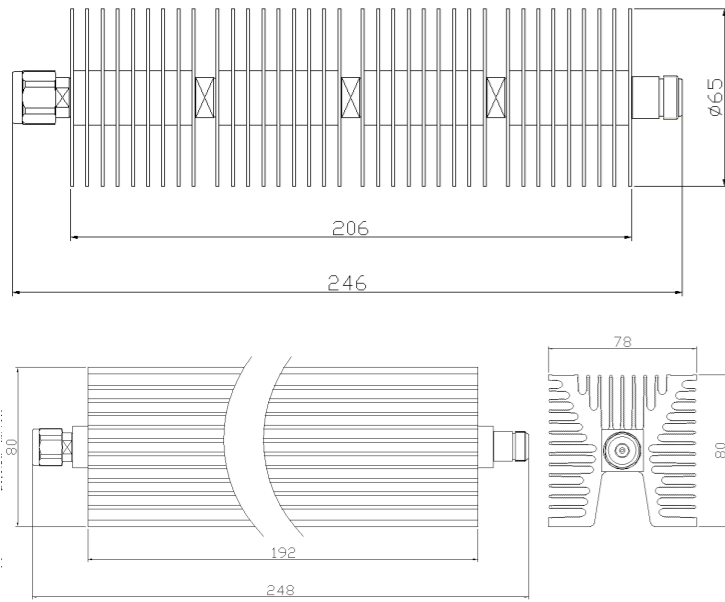
**电气性能**  
**Electrical Properties**

频率范围 Frequency Range(GHz)	最大驻波比 Max. VSWR
DC-26.5	1.30

## XFZ50-SMA 50Ω Coaxial Fixed Termination

XFZ50-SMA系列同轴负载具有工作频带宽，驻波系数低，抗脉冲，抗烧毁能力强等特征。  
 XFZ50-SMA series coaxia termination has the following characteristics: wide working frequency band, low standing wave coefficient, strong anti-pulse and anti-burn ability.





### 规格与性能 Specification and Performance

#### 机械性能 Mechanical Specifications

型号(Model): XSJ100-N  
 温度范围(Temp. Range): -55°C~125°C  
 储存(Storage): -55°C~125°C  
 工作(Operating): -55°C~125°C  
 平均功率(Average Power): 100W  
 峰值功率(Peak Power): 1000W (5μs pulse, 5% duty cycle)  
 圆形重量 (Cylindrical Weight): 580g  
 方形重量 (Rectangle Weight): 1420g

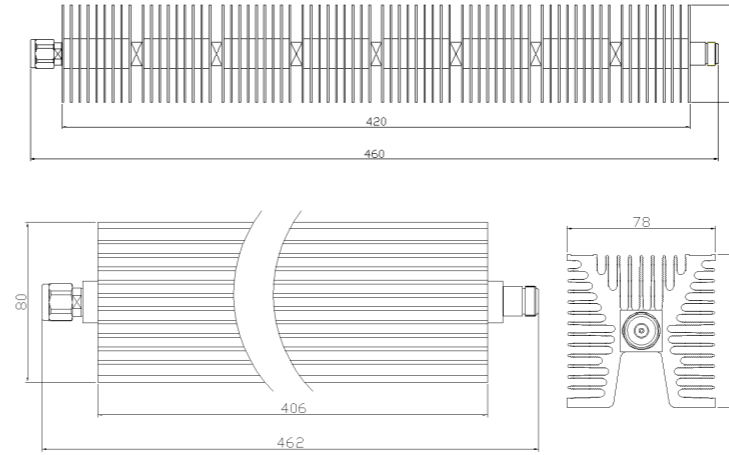
#### 电气性能 Electrical Properties

频率范围 Frequency Range(GHz)	衰减值及精度 Attenuation Value & Accuracy (dB)			最大驻波比 Max. VSWR
	20	30	40	
DC-18	-2.0/+2.0	-1.2/+2.0	-1.2/+2.0	1.45

## XSJ100-N 50Ω Coaxial Fixed Attenuator

XSJ100-N系列同轴固定衰减器 具有工作频带宽, 驻波系数低, 衰减值平坦, 抗脉冲, 抗烧毁能力强等特征。

XSJ100-N series coaxial fixed attenuators has the following characteristics: small size, wide working frequency band, low standing wave coefficient, flat attenuation value, anti-pulse, anti-burn ability.



### 规格与性能 Specification and Performance

#### 机械性能 Mechanical Specifications

型号(Model): XSJ300-N  
 温度范围(Temp. Range): -55°C~125°C  
 储存(Storage): -55°C~125°C  
 工作(Operating): -55°C~125°C  
 平均功率(Average Power): 300W  
 峰值功率(Peak Power): 1000W (5μs pulse, 5% duty cycle)  
 圆形重量 (Cylindrical Weight): 1125g  
 方形重量 (Rectangle Weight): 2930g

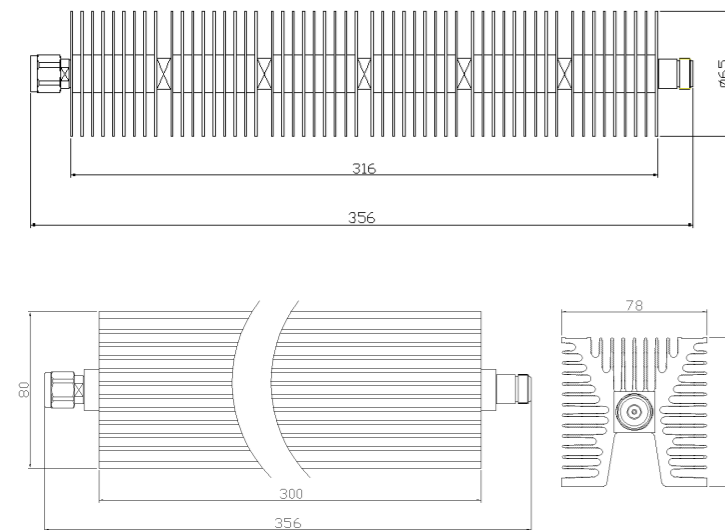
#### 电气性能 Electrical Properties

频率范围 Frequency Range(GHz)	衰减值及精度 Attenuation Value & Accuracy (dB)		最大驻波比 Max. VSWR
	30	40	
DC-18	-3.0/+3.5	-2.0/+3.5	1.55

## XSJ300-N 50Ω Coaxial Fixed Attenuator

XSJ300-N系列同轴固定衰减器 具有工作频带宽, 驻波系数低, 衰减值平坦, 抗脉冲, 抗烧毁能力强等特征。

XSJ300-N series coaxial fixed attenuators has the following characteristics: small size, wide working frequency band, low standing wave coefficient, flat attenuation value, anti-pulse, anti-burn ability.



### 规格与性能 Specification and Performance

#### 机械性能 Mechanical Specifications

型号(Model): XSJ200-N  
 温度范围(Temp. Range): -55°C~125°C  
 储存(Storage): -55°C~125°C  
 工作(Operating): -55°C~125°C  
 平均功率(Average Power): 200W  
 峰值功率(Peak Power): 1000W (5μs pulse, 5% duty cycle)  
 圆形重量 (Cylindrical Weight): 850g  
 方形重量 (Rectangle Weight): 2180g

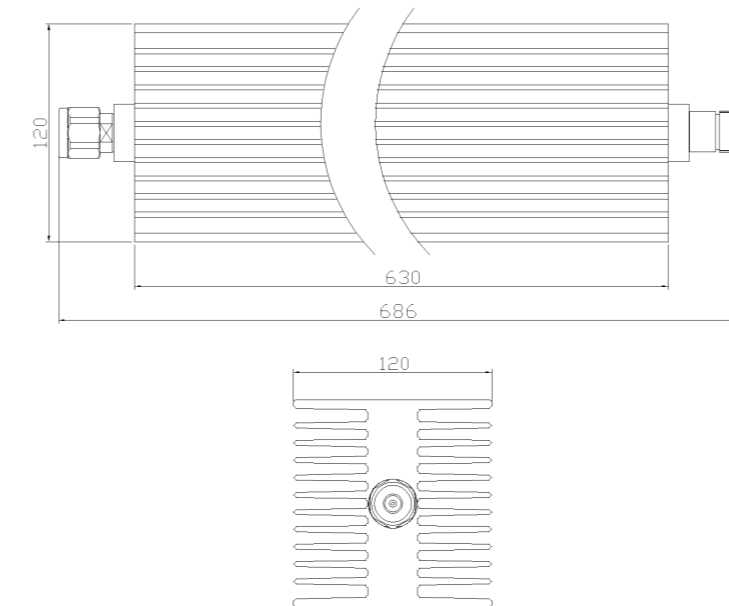
#### 电气性能 Electrical Properties

频率范围 Frequency Range(GHz)	衰减值及精度 Attenuation Value & Accuracy (dB)			最大驻波比 Max. VSWR
	20	30	40	
DC-18	-2.5/+5.0	-2.0/+3.5	-2.0/+3.5	1.50

## XSJ200-N 50Ω Coaxial Fixed Attenuator

XSJ200-N系列同轴固定衰减器 具有工作频带宽, 驻波系数低, 衰减值平坦, 抗脉冲, 抗烧毁能力强等特征。

XSJ200-N series coaxial fixed attenuators has the following characteristics: small size, wide working frequency band, low standing wave coefficient, flat attenuation value, anti-pulse, anti-burn ability.



### 规格与性能 Specification and Performance

#### 机械性能 Mechanical Specifications

型号(Model): XSJ500-N  
 温度范围(Temp. Range): -55°C~125°C  
 储存(Storage): -55°C~125°C  
 工作(Operating): -55°C~125°C  
 平均功率(Average Power): 500W  
 峰值功率(Peak Power): 2000W (5μs pulse, 5% duty cycle)

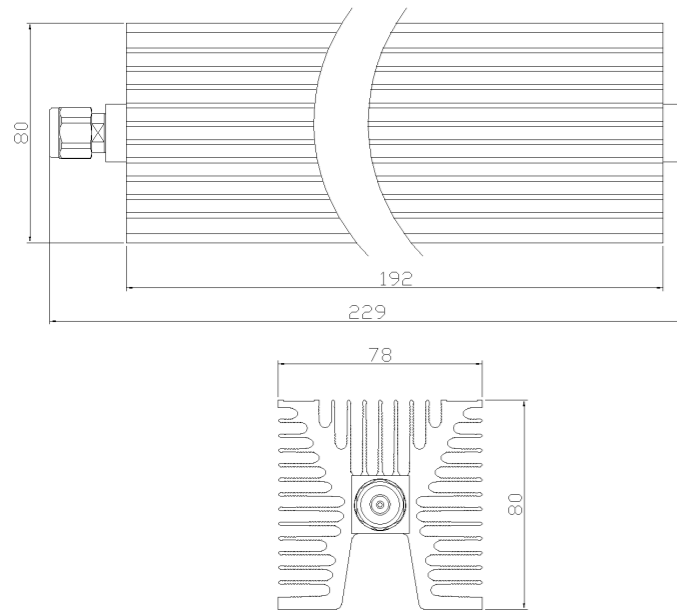
#### 电气性能 Electrical Properties

频率范围 Frequency Range(GHz)	衰减值及精度 Attenuation Value & Accuracy (dB)		最大驻波比 Max. VSWR
	30	40	
DC-18	-4.0/+3.0	-4.0/+3.0	1.60

## XSJ500-N 50Ω Coaxial Fixed Attenuator

XSJ500-N系列同轴固定衰减器 具有工作频带宽, 驻波系数低, 衰减值平坦, 抗脉冲, 抗烧毁能力强等特征。

XSJ500-N series coaxial fixed attenuators has the following characteristics: small size, wide working frequency band, low standing wave coefficient, flat attenuation value, anti-pulse, anti-burn ability.



**规格与性能**  
Specification and Performance

**机械性能**  
Mechanical Specifications

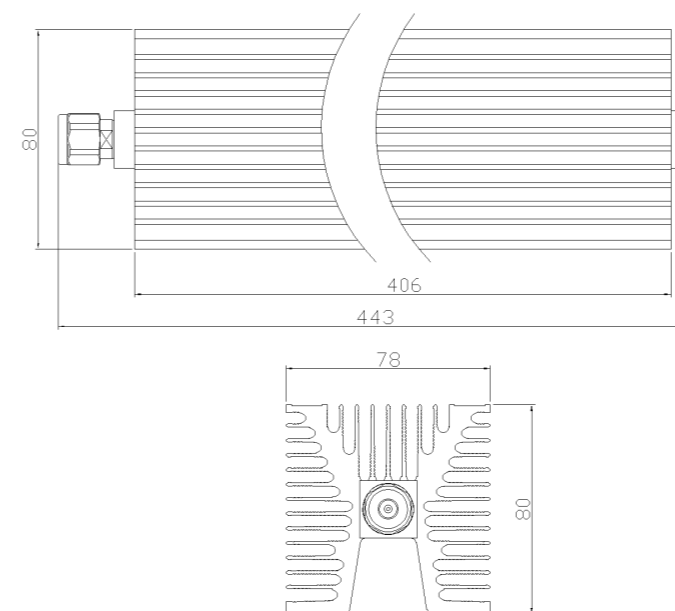
型号(Model): XFZ100-N  
 温度范围(Temp. Range): -55°C~125°C  
 储存(Storage): -55°C~125°C  
 工作(Operating): -55°C~125°C  
 平均功率(Average Power): 100W  
 峰值功率(Peak Power): 1000W (5μs pulse, 5% duty cycle)  
 重量 (Weight): 1400g

**电气性能**  
Electrical Properties

频率范围 Frequency Range(GHz)	最大驻波比 Max. VSWR
DC-18	1.45

**XFZ100-N 50Ω**  
Coaxial Fixed Termination

XFZ100-N系列同轴负载具有工作频带宽，驻波系数低，抗脉冲，抗烧毁能力强等特征。  
 XFZ100-N series coaxia termination has the following characteristics: wide working frequency band, low standing wave coefficient, strong anti-pulse and anti-burn ability.



**规格与性能**  
Specification and Performance

**机械性能**  
Mechanical Specifications

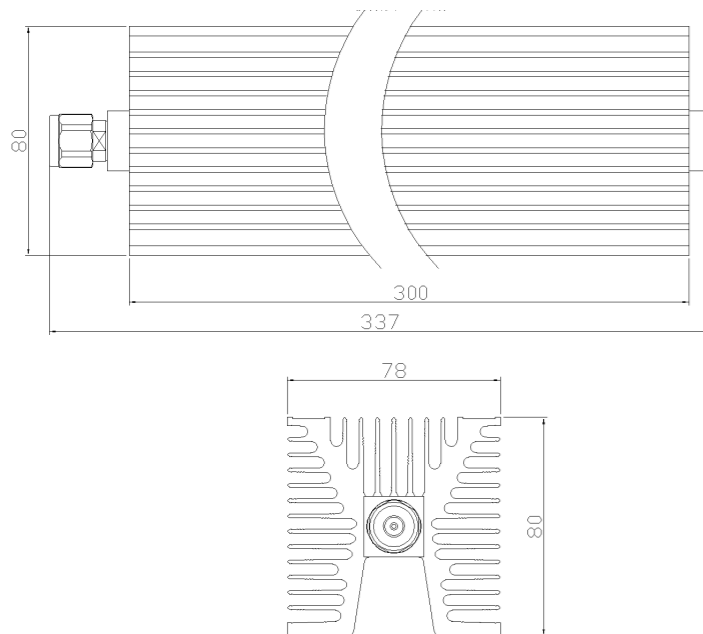
型号(Model): XFZ300-N  
 温度范围(Temp. Range): -55°C~125°C  
 储存(Storage): -55°C~125°C  
 工作(Operating): -55°C~125°C  
 平均功率(Average Power): 300W  
 峰值功率(Peak Power): 1000W (5μs pulse, duty cycle)  
 重量 (Weight): 2910g

**电气性能**  
Electrical Properties

频率范围 Frequency Range(GHz)	最大驻波比 Max. VSWR
DC-18	1.55

**XFZ300-N 50Ω**  
Coaxial Fixed Termination

XFZ300-N系列同轴负载具有工作频带宽，驻波系数低，抗脉冲，抗烧毁能力强等特征。  
 XFZ300-N series coaxia termination has the following characteristics: wide working frequency band, low standing wave coefficient, strong anti-pulse and anti-burn ability.



**规格与性能**  
Specification and Performance

**机械性能**  
Mechanical Specifications

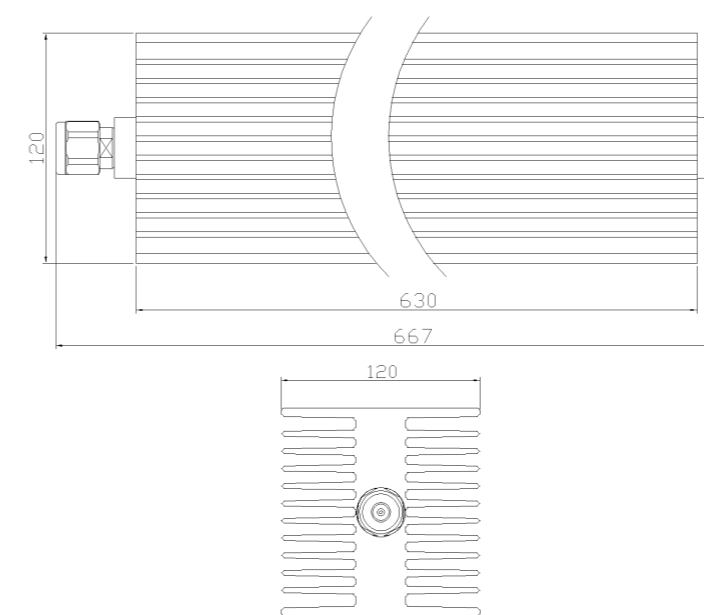
型号(Model): XFZ200-N  
 温度范围(Temp. Range): -55°C~125°C  
 储存(Storage): -55°C~125°C  
 工作(Operating): -55°C~125°C  
 平均功率(Average Power): 200W  
 峰值功率(Peak Power): 1000W (5μs pulse, 5% duty cycle)  
 重量 (Weight): 2160g

**电气性能**  
Electrical Properties

频率范围 Frequency Range(GHz)	最大驻波比 Max. VSWR
DC-18	1.50

**XFZ200-N 50Ω**  
Coaxial Fixed Termination

XFZ200-N系列同轴负载具有工作频带宽，驻波系数低，抗脉冲，抗烧毁能力强等特征。  
 XFZ200-N series coaxia termination has the following characteristics: wide working frequency band, low standing wave coefficient, strong anti-pulse and anti-burn ability.



**规格与性能**  
Specification and Performance

**机械性能**  
Mechanical Specifications

型号(Model): XFZ500-N  
 温度范围(Temp. Range): -55°C~125°C  
 储存(Storage): -55°C~125°C  
 工作(Operating): -55°C~125°C  
 平均功率(Average Power): 500W  
 峰值功率(Peak Power): 2000W (5μs pulse, 5% duty cycle)

**电气性能**  
Electrical Properties

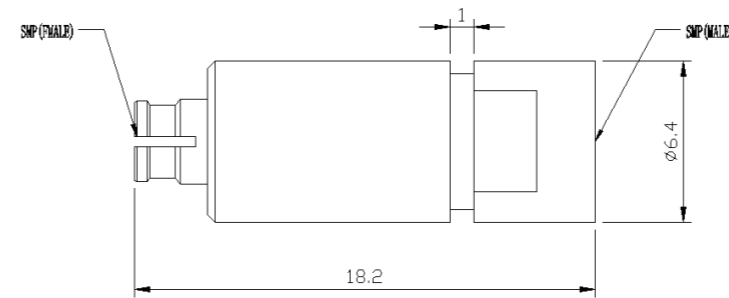
频率范围 Frequency Range(GHz)	最大驻波比 Max. VSWR
DC-18	1.60

**XFZ500-N 50Ω**  
Coaxial Fixed Termination

XFZ500-N系列同轴负载具有工作频带宽，驻波系数低，抗脉冲，抗烧毁能力强等特征。  
 XFZ500-N series coaxia termination has the following characteristics: wide working frequency band, low standing wave coefficient, strong anti-pulse and anti-burn ability.

# SPECIAL

Coaxial Fixed Attenuator and Termination and DC-BLOCK



## XSJ2-SMP 50Ω Coaxial Fixed Attenuator

### 规格与性能 Specification and Performance

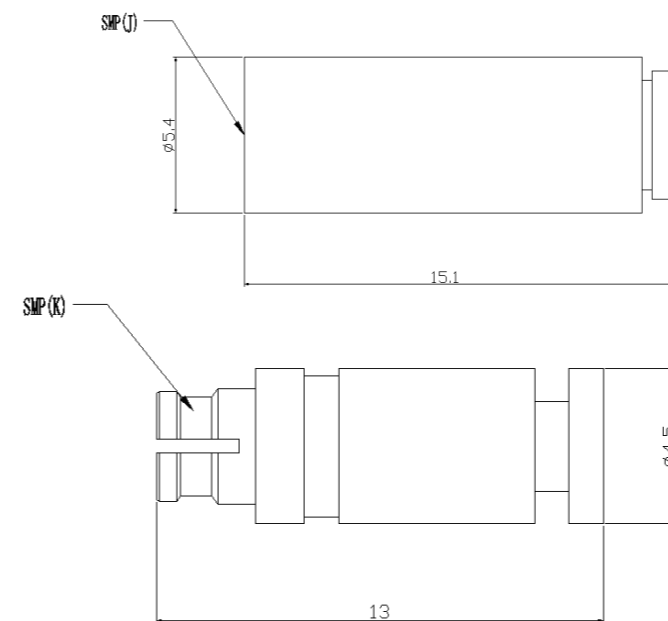
#### 机械性能 Mechanical Specifications

型号 (Model): XSJ2-SMP  
 温度范围 (Temp. Range): -55°C~125°C  
 储存 (Storage): -55°C~125°C  
 工作 (Operating): -55°C~125°C  
 平均功率 (Average Power): 2W  
 峰值功率 (Peak Power): 20W (5μs pulse, 0.5% duty cycle)  
 重量 (Weight): 5g

#### 电气性能 Electrical Properties

频率范围 Frequency Range(GHz)	衰减值及精度 Attenuation Value & Accuracy (dB)			最大驻波比 Max. VSWR
	1-10	20	30	
DC-40	-1.0/+1.0	-1.0/+1.0	-1.0/+1.0	1.40

XSJ2-SMP 频率范围DC~40GHz。具有如下特征：体积小，工作频带宽，驻波系数低，衰减值平坦，抗脉冲，抗烧毁能力强。  
 XSJ2-SMP series coaxial fixed attenuators frequency range of DC~40GHz, It has the following characteristics: small size, wide working frequency band, low standing wave coefficient, flat attenuation value, anti-pulse, anti-burn ability.



## XFZ2-SMP 50Ω Coaxial Fixed Termination

### 规格与性能 Specification and Performance

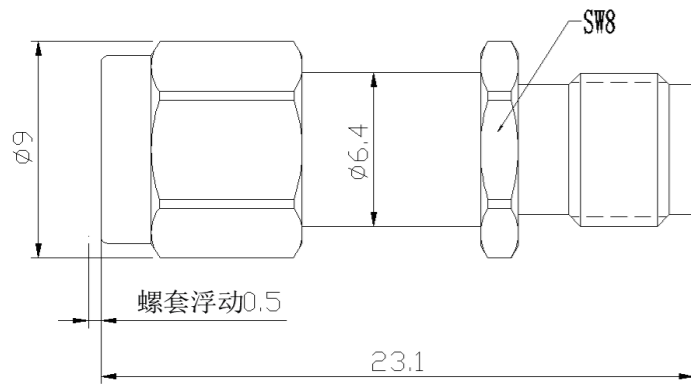
#### 机械性能 Mechanical Specifications

型号 (Model): XFZ2-SMP  
 温度范围 (Temp. Range): -55°C~125°C  
 储存 (Storage): -55°C~125°C  
 工作 (Operating): -55°C~125°C  
 平均功率 (Average Power): 2W  
 峰值功率 (Peak Power): 20W (5μs pulse, 0.5% duty cycle)  
 重量 (Weight): 3g

#### 电气性能 Electrical Properties

频率范围 Frequency Range(GHz)	最大驻波比 Max. VSWR
DC-40	1.30

XFZ2-SMP 系列同轴负载具有工作频带宽，驻波系数低，抗脉冲，抗烧毁能力强等特征。  
 XFZ2-SMP series coaxia termination has the following characteristics: wide working frequency band, low standing wave coefficient, strong anti-pulse and anti-burn ability.



**规格与性能**  
Specification and Performance

**机械性能**  
Mechanical Specifications

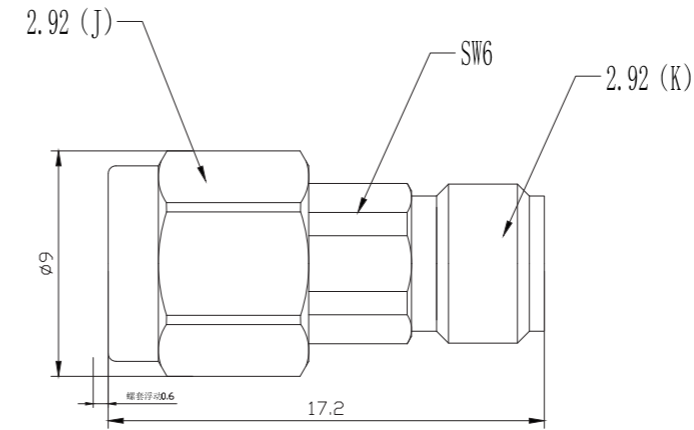
型号(Model): XGZ-SMA  
 温度范围(Temp. Range): -55°C~125°C  
 储存(Storage): -55°C~125°C  
 工作(Operating): -55°C~125°C  
 重量 (Weight): 4g

**电气性能**  
Electrical Properties

频率范围 Frequency Range(GHz)	最大电压 DC Voltage (V)	插入损耗 Insertion Loss(dB)	最大驻波比 Max. VSWR
10MHz-26.5GHz	50	≤0.6	1.30

**XGZ-SMA 50Ω  
DC-BLOCK**

- 所有外形尺寸单位mm, 尺寸公差±2%。
- 可按照客户要求订制特殊频率范围。
- All dimensions are in mm, with a tolerance of ±2%.
- Special frequency range can be customized according to customer requirements.



**规格与性能**  
Specification and Performance

**机械性能**  
Mechanical Specifications

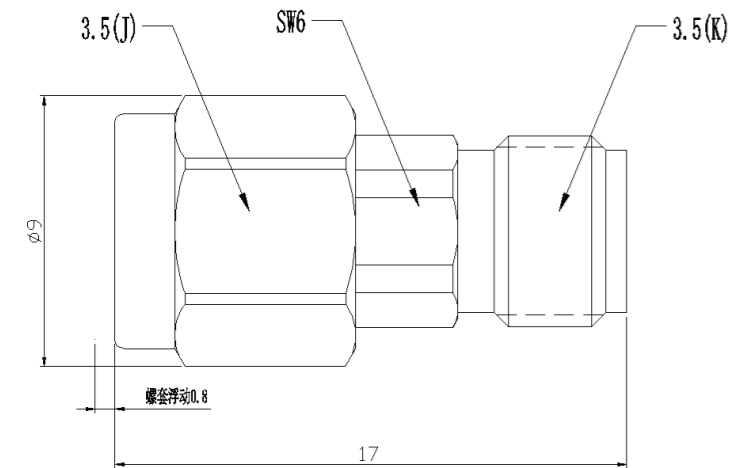
型号(Model): XGZ-2.92  
 温度范围(Temp. Range): -55°C~100°C  
 储存(Storage): -55°C~100°C  
 工作(Operating): -55°C~100°C  
 重量 (Weight): 3g

**电气性能**  
Electrical Properties

频率范围 Frequency Range(GHz)	最大电压 DC Voltage (V)	插入损耗 Insertion Loss(dB)	最大驻波比 Max. VSWR
10MHz-40GHz	60	≤0.5	1.30

**XGZ-2.92 50Ω  
DC-BLOCK**

- 所有外形尺寸单位mm, 尺寸公差±2%。
- 可按照客户要求订制特殊频率范围。
- All dimensions are in mm, with a tolerance of ±2%.
- Special frequency range can be customized according to customer requirements.



**规格与性能**  
Specification and Performance

**机械性能**  
Mechanical Specifications

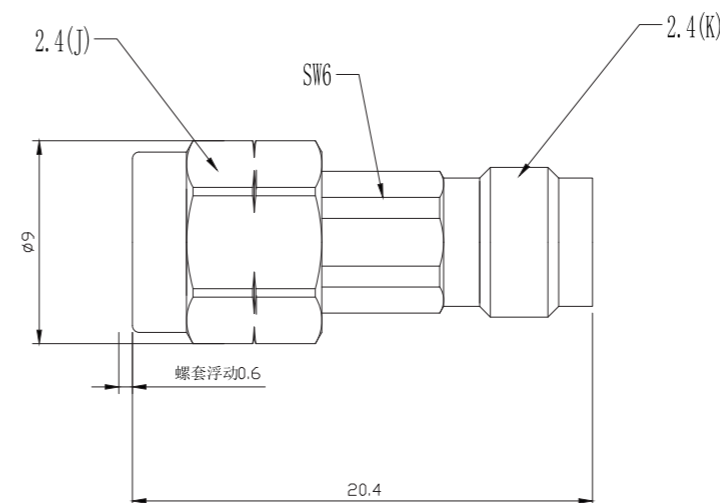
型号(Model): XGZ-3,5  
 温度范围(Temp. Range): -55°C~125°C  
 储存(Storage): -55°C~125°C  
 工作(Operating): -55°C~125°C  
 重量 (Weight): 3g

**电气性能**  
Electrical Properties

频率范围 Frequency Range(GHz)	最大电压 DC Voltage (V)	插入损耗 Insertion Loss(dB)	最大驻波比 Max. VSWR
10MHz-26.5GHz	60	≤0.5	1.30

**XGZ-3.5 50Ω  
DC-BLOCK**

- 所有外形尺寸单位mm, 尺寸公差±2%。
- 可按照客户要求订制特殊频率范围。
- All dimensions are in mm, with a tolerance of ±2%.
- Special frequency range can be customized according to customer requirements.



**规格与性能**  
Specification and Performance

**机械性能**  
Mechanical Specifications

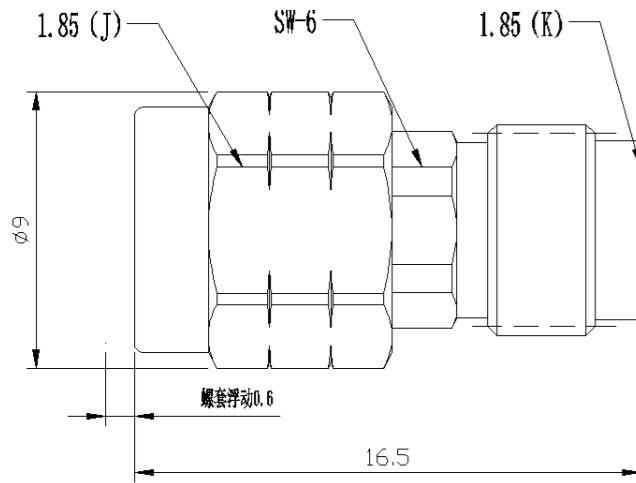
型号(Model): XGZ-2,4  
 温度范围(Temp. Range): -55°C~100°C  
 储存(Storage): -55°C~100°C  
 工作(Operating): -55°C~100°C  
 重量 (Weight): 3g

**电气性能**  
Electrical Properties

频率范围 Frequency Range(GHz)	最大电压 DC Voltage (V)	插入损耗 Insertion Loss(dB)	最大驻波比 Max. VSWR
10MHz-50GHz	60	≤0.8	1.40

**XGZ-2.4 50Ω  
DC-BLOCK**

- 所有外形尺寸单位mm, 尺寸公差±2%。
- 可按照客户要求订制特殊频率范围。
- All dimensions are in mm, with a tolerance of ±2%.
- Special frequency range can be customized according to customer requirements.



**规格与性能**  
Specification and Performance

**机械性能**  
Mechanical Specifications

型号(Model): XGZ-1.85  
 温度范围(Temp. Range)  
 储存(Storage): -55°C~100°C  
 工作(Operating): -55°C~100°C  
 重量 (Weight): 3g

**电气性能**  
Electrical Properties

频率范围 Frequency Range(GHz)	最大电压 DC Voltage (V)	插入损耗 Insertion Loss(dB)	最大驻波比 Max. VSWR
10MHz-67GHz	60	≤1.0	1.50

**XGZ-1.85 50Ω  
DC-BLOCK**

- 1、所有外形尺寸单位mm, 尺寸公差±2%。
- 2、可按照客户要求订制特殊频率范围。
- 1、All dimensions are in mm, with a tolerance of ±2%.
- 2、Special frequency range can be customized according to customer requirements.

▼  
 联系人：刘倩倩  
 职位：市场部经理  
 电话：+(86) 18916193016  
 邮箱：qianqian@xinxunmc.com

▼  
 联系人：徐龙龙  
 职位：微波事业部经理  
 电话：+(86) 17740816025  
 邮箱：technology@xinxunmc.com

▼  
 联系人：周洁  
 职位：华东区销售总监  
 电话：+(86) 13814092393  
 邮箱：zj@xinxunmc.com

